

## COLLECTORS NO. 40075



Chair Table

New England:  
Circa 1700-25

A piece of furniture of this type was more commonly found in the taverns and less elegant homes of the Colonial Period. Its design was strictly utilitarian, rather than decorative.

In the taverns it could be placed against the wall, or at the side of the fireplace, with its top raised and used as a chair. When an extra table was needed, the top could be swung down, and it could be pressed into service in its second function. In a country home it was probably used as a table at mealtime, and during the day could be used as a chair for the housewife to use while she was spinning or sewing.

The top, due to its width, was made in three pieces and held together by the two cleats. These cleats served a dual purpose since they were also part of the hinge for the top. The top was made of pine, as was the seat and drawer, while the cleats, arms, and legs were made of native hardwoods.

Because of their size and limited uses, not too many examples of these chair tables survived. Many were probably converted into two separate pieces of furniture.

## INTRODUCTION

## BEFORE STARTING

Identify and account for each part by placing it on the Layout Sheet (make sure the correct layout sheet is used when working on multi-kit instruction sheets). Should any parts be missing, send a post card to:

**THE HOUSE OF MINIATURES**  
Customer Service - Parts Dept.  
2000 Craftmark Center  
Statesville, NC 28677-2000

Please print Name, Address, Part Number (Number from Layout Sheet) and Kit Name and Number on card when ordering.

## SANDING

Before assembly, sand all the outer surfaces of individual parts with 220 grit sandpaper, or finer, sanded in the same direction as the wood grain until the surface is smooth. Take care not to round any edges or corners of the pieces. Finish sanding with 280 grit sandpaper.

## PRE-ASSEMBLY

A. After sanding, check the proper location and fit of each part by assembling parts loosely, without gluing. Use the **DETAIL VIEWS** as a guide.

B. All parts for X-ACTO kits are made on precision

## ASSEMBLY AND FINISHING INSTRUCTIONS



AUTHENTIC REPRODUCTIONS IN MINIATURE

The X-ACTO® HOUSE OF MINIATURES COLLECTORS SERIES of furniture and accessories have all been carefully researched by specialists through major museum and library collections to assure the highest quality of authenticity in reproduction. Details are extraordinarily accurate to satisfy the most discriminating miniaturist.

All wood parts are machined to assure accurate and precise acceptance of each piece by another.

For a complete catalog of the X-ACTO® HOUSE OF MINIATURES furniture line and accessories, write to:

**THE HOUSE OF MINIATURES**  
Customer Service - Catalog Dept.  
80 Newbridge Road  
Bergenfield, NJ 07621

milling machines. When adjustments are required, sand to fit.

## TOOLS AND MATERIALS

A. The following tools will be helpful in constructing this kit:

1. 2" Sander, X-ACTO No. 7042
2. Small Clamp, X-ACTO No. 7003
3. Pin Vise, X-ACTO No. 7144
4. X-ACTO Professional Finishing Kit (or equivalent, see note)

B. The following materials will be needed to construct this kit:

1. X-ACTO Tinted Glue (see note)
2. Sandpaper - 220 and 280 grit
3. Small Artist's Brush

**NOTE:** The X-ACTO tinted glue is matched to the finish used in the Professional Finishing Kit. This will produce the authentic finish of the period in which the original Furniture was produced. When not using X-ACTO glue follow manufacturer's directions.

## GLUING

A. Glue should be applied in small amounts to surface being joined. When gluing dado joints apply glue to dado only.

B. To ensure a tight fit, squeeze excess glue out of the joints. Hold glued parts together with clamps, rubber bands or weights on the parts.

C. Wipe off excess glue promptly.

D. Be sure a glued assembly has dried thoroughly before adding parts.

## FINISHING

The X-ACTO Professional Finishing Kit enables you to finish your furniture by the same process used by the professional furniture maker. The end result is what is important — there are easier methods, but none that will give the quality results that this process will. If you use a finish other than X-ACTO's, refer to the manufacturer's directions.

# Layout Sheet

Kit 40075

69 (2 Req'd.)

70

67 (2 Req'd.)

72 (4 Req'd.)

71 (2 Req'd.)

68 (2 Req'd.)

73 (4 Req'd.)

82

77 (2 Req'd.)

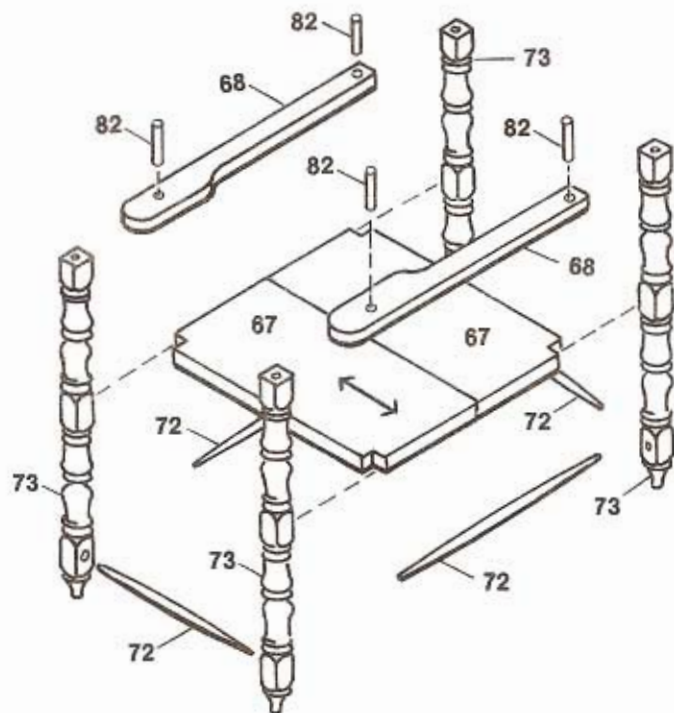
80 (2 Req'd.)

+  
78 (2 Req'd.)

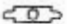


81

76

79



## HARDWARE

NO.	DESCRIPTION	QTY.
03		1
04		1
05		2

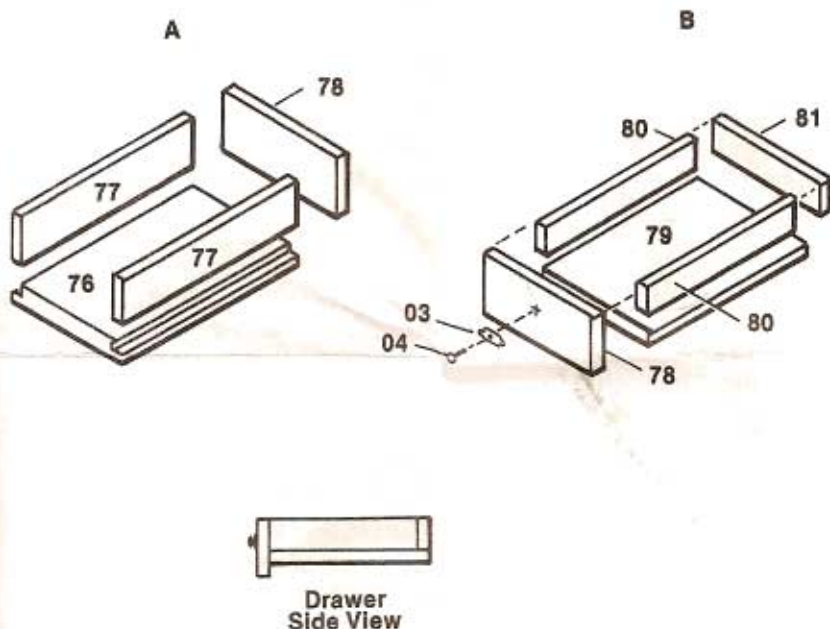
## Step 1

A. Glue the spreaders (72) into the holes in the lower square portion of the legs (73). Glue the seat (67) so that it is centered on the middle square part of the legs. The grain of the wood of the seat should run in the direction indicated by the arrow on the drawing.

B. Cut the dowel (82) into four equal lengths. Glue the arms (68) to the top of the legs so the holes in the arms and the top of the legs are aligned. Tap the dowel sections into the holes. Square the assembly so it sets level. After the glue has hardened trim the dowels flush with the top of the arms. Sand the edges of the arms and the top of the seat so they are slightly rounded.

# Detail Views

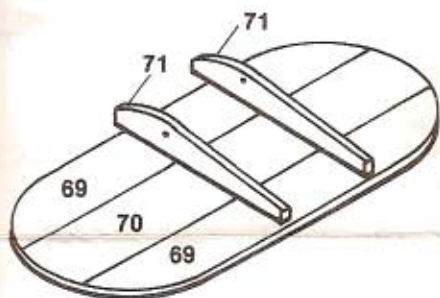
Kit 40075



## Step 2

A. Assemble the drawer case by gluing the sides (77) into the dadoes of the base (76), then glue the back (78) to the ends of the sides and base. Sand the assembly and then glue it to the bottom of the chair seat so that it is centered left and right and is flush with the rear of the seat.

B. If the inside of the drawer is not to be stained, use white glue for this step. Assemble the drawer by gluing the sides (80) on top the bottom so they are flush with the sides and one end. Glue on the back (81) to the ends of the sides and on top of the bottom. Drill the hole for the knob (04) in the drawer front. Refer to the Layout Sheet for its location. The drawer front may be installed now, or finished separately. When it is installed it is centered and flush with the top of the drawer sides.



## Step 3

A. Glue the table top sections (69 & 70) together and when the glue has hardened, sand smooth.

B. Glue the brackets (71) to the table top so that the larger ends are flush with the table top edge. Use the seat assembly arms as a guide for spacing and centering of the brackets.

C. Round off the ends of the brackets as shown and then slightly round the edges of the brackets and the table top.

## Step 4

A. Round the rear of the arms as shown. Make two shims of a double thickness of paper and place them between the top and the arms. Center the holes in the brackets on the legs and drill the holes for the hinge pins. Partially insert the hinge pins and check that the top hinges properly. Sand the arms more if needed.

B. Remove the hinge pins and apply stain and finish to all components.

C. After finishing, apply the drawer hardware and the hinge pins. Trim the pins if needed. Apply a drop of white glue to the ends of the pins on the outside of the brackets to hold them in place.

