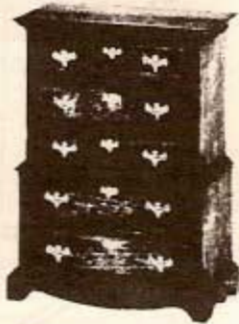


ASSEMBLY AND FINISHING INSTRUCTIONS

COLLECTORS NO. 40009



Chippendale
Chest on Chest
Circa 1750-1790

Thomas Chippendale, the best known and best advertised figure in the history of furniture making, was born about 1705.

Few furniture designers become influential enough to have their names rather than a monarch's linked with current styles. One of these was Thomas Chippendale, who operated one of the most fashionable shops in London from 1745 until his death in 1777, after which his son, known as Thomas Chippendale the younger, continued the business into the 1790's. During the years in which the Chippendale prevailed in America from about 1755-1785, practically all of our furniture of the better sort was made in this style. The style continued for some time after it was supplanted in England by new styles. This occurred because of the Revolutionary War which stopped business relations between the two countries for several years. The American cabinet makers, not having the new styles, continued in the Chippendale tradition. The chest on chest is exactly what the name indicates. The lower unit consists of a chest of two drawers which is somewhat wider than the upper chest consisting of three drawers. The chest on chest was made in England many years before they were apparently made in our country.



AUTHENTIC REPRODUCTIONS IN MINIATURE

The X-ACTO® House of Miniatures® Collectors Series of furniture and accessories have all been carefully researched by specialists through major museum and library collections to assure the highest quality of authenticity in reproduction. Details are extraordinarily accurate to satisfy the most discriminating miniaturist.

All wood parts are machined to assure accurate and precise acceptance of each piece by another.

For a complete catalog of the X-ACTO® HOUSE OF MINIATURES furniture line and accessories, write to:

X-ACTO® THE HOUSE OF MINIATURES Dept. KIT
45-35 Van Dam Street
Long Island City,
New York 11101

Please include \$1.00 for postage and handling.

INTRODUCTION

BEFORE STARTING

Identify and account for each part by placing it on the Layout Sheet (make sure the correct layout sheet is used when working on multi-kit Instruction Sheets). Should any parts be missing, send a post card to:

X-ACTO/The House of Miniatures
45-35 Van Dam Street
Long Island City, N.Y. 11101

Please print Name, Address, Part Number (Number from Layout Sheet) and Kit Name and Number on card when ordering.

SANDING

Before assembly, sand all the outer surfaces of individual parts with 220 grit sandpaper, or finer, sanded in the same direction as the wood grain until the surface is smooth. Take care not to round any edges or corners of the pieces. Finish sanding with 280 grit sandpaper.

PRE-ASSEMBLY

A. After sanding, check the proper location and fit of each part by assembling parts loosely, without gluing. Use the **DETAIL VIEWS** as a guide.

B. All parts for X-ACTO kits are made on precision milling machines. When adjustments are required, sand to fit.

TOOLS AND MATERIALS

A. The following tools will be helpful in constructing this kit:

1. Tweezer, X-ACTO No. 7336
2. Two-inch Sander, X-ACTO No. 7042
3. Large Clamp, X-ACTO No. 7004
4. X-ACTO Professional Finishing Kit (or equivalent, see note)

B. The following materials will be needed to construct this kit:

1. X-ACTO Tinted Glue (see note)
2. Sandpaper - 220 and 280 grit
3. Steel Wool - Grade 0000
4. White Glue (or equivalent)
5. Small Artist's Brush.

NOTE: The X-ACTO tinted glue is matched to the finish used in the Professional Finishing Kit. This will produce the authentic finish of the period in which the original Furniture was produced. When not using X-ACTO glue follow manufacturer's directions.

GLUING

A. Glue should be applied in small amounts to surface being joined. When gluing dado joints apply glue to dado only.

B. To ensure a tight fit, squeeze excess glue out of the joints. Hold glued parts together with clamps, rubber bands or weights on the parts.

C. Wipe off excess glue promptly.

D. Be sure a glued assembly has dried thoroughly before adding parts.

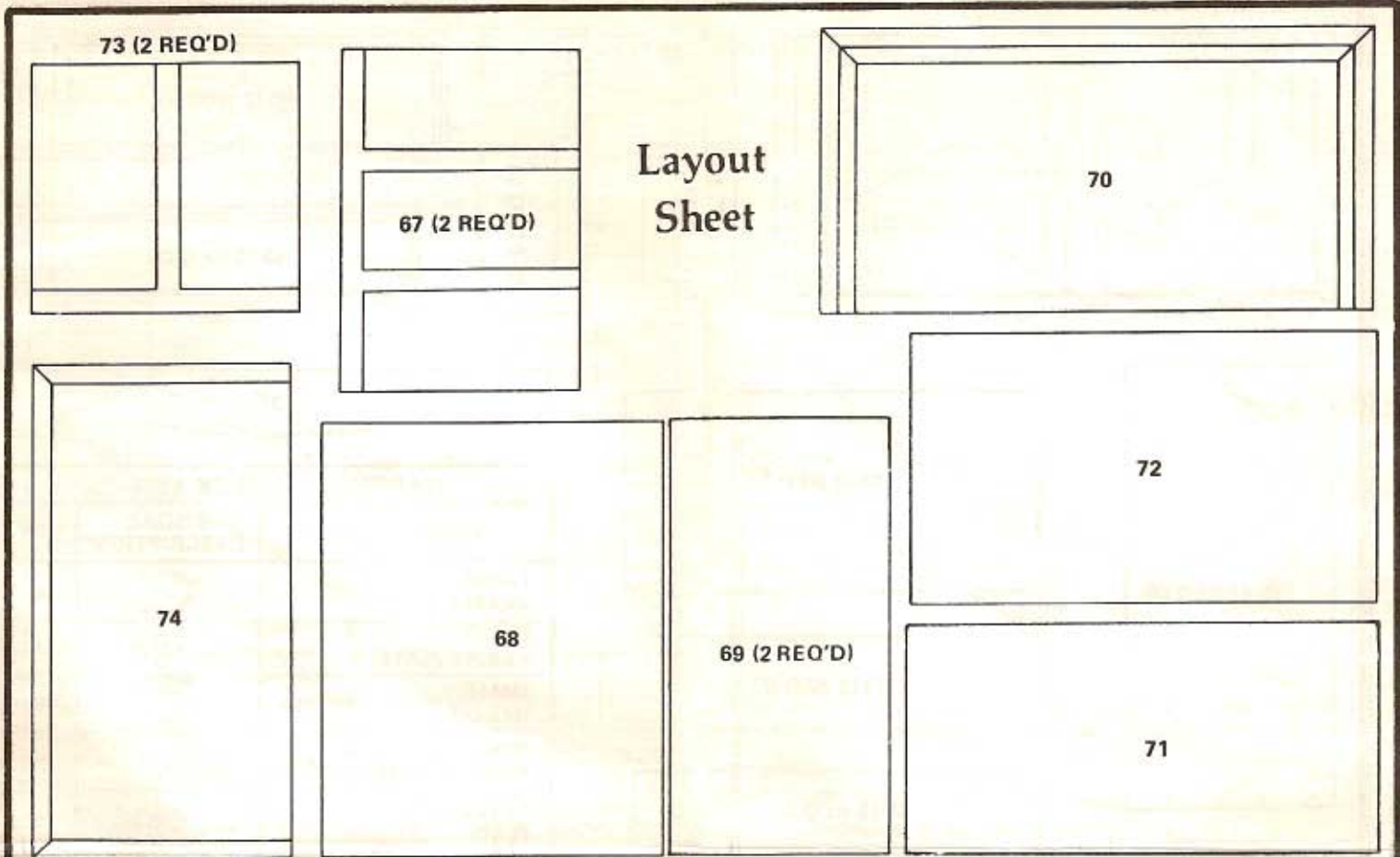
FINISHING

The X-ACTO Professional Finishing Kit enables you to finish your furniture by the same process used by the professional furniture maker. The end result is what is important - there are easier methods, but none that will give the quality results that this process will. If you use a finish other than X-ACTO's, refer to the manufacturer's directions.

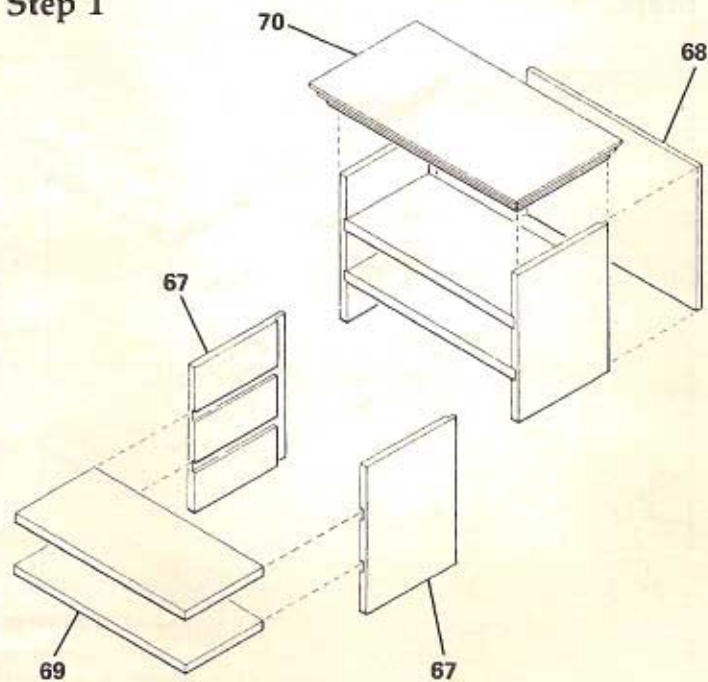
Detail Views

Kit 40009

(Steps 1 & 2)



Step 1

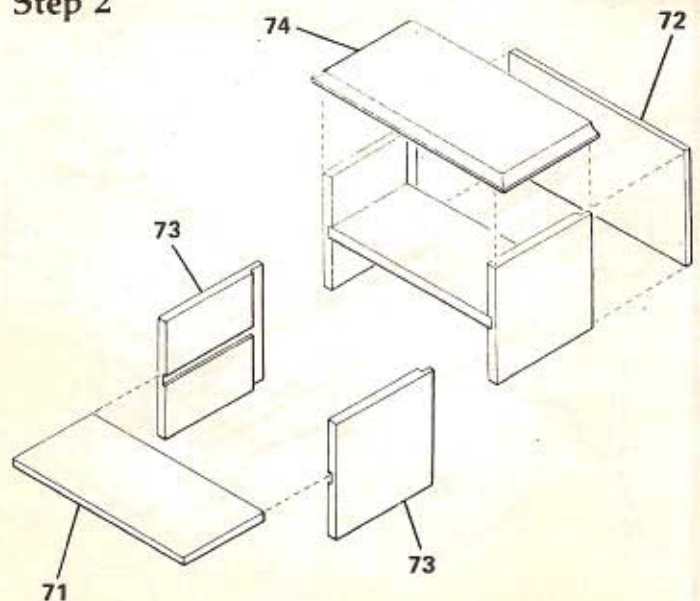


A. Glue dividers (69) into dadoes of sides (67). Care should be taken so that they don't extend into rabbets along back edge.

B. Glue back (68) into rabbets and square entire assembly.

C. Glue top (70) to assembly. Back should be flush and assembly center left to right.

Step 2



A. Glue divider (71) into dado of sides (73). Care should be taken that it doesn't extend into the rabbets along the back edge.

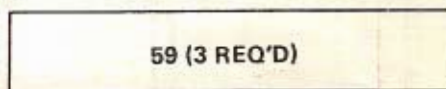
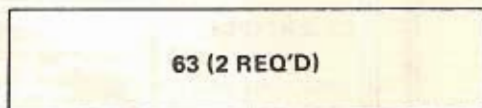
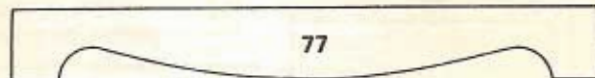
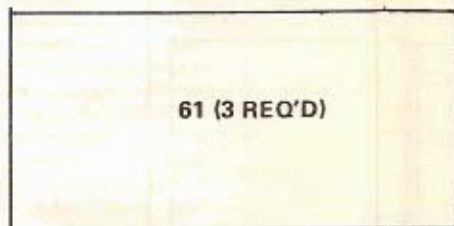
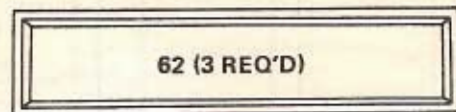
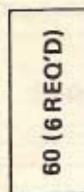
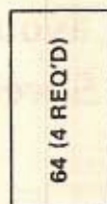
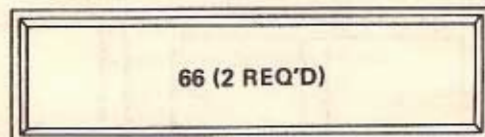
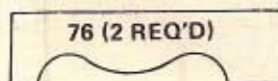
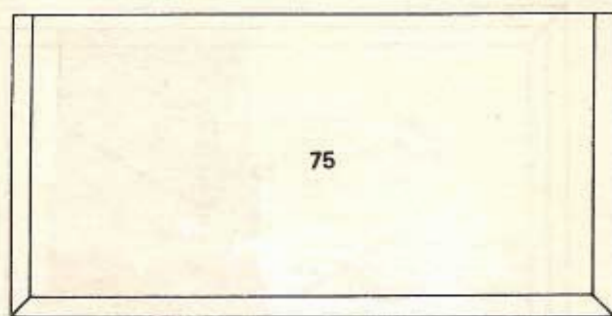
B. Glue back (72) into rabbets and square entire assembly.

C. Glue center top (74) onto assembly centered left to right and with the back flush.

Layout Sheet

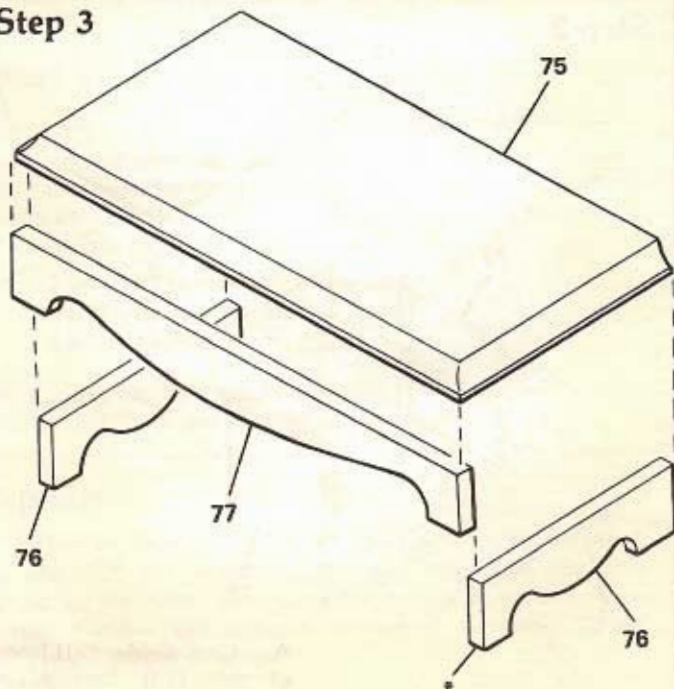
Kit 40009

(Steps 3 thru 7)



HARDWARE CHECK LIST		
DESCRIPTION	VISUAL DESCRIPTION	QTY
LARGE HANDLE		4
LARGE HANDLE PLATE		4
SMALL HANDLE		6
SMALL HANDLE PLATE		6
KEYHOLE PLATE		5

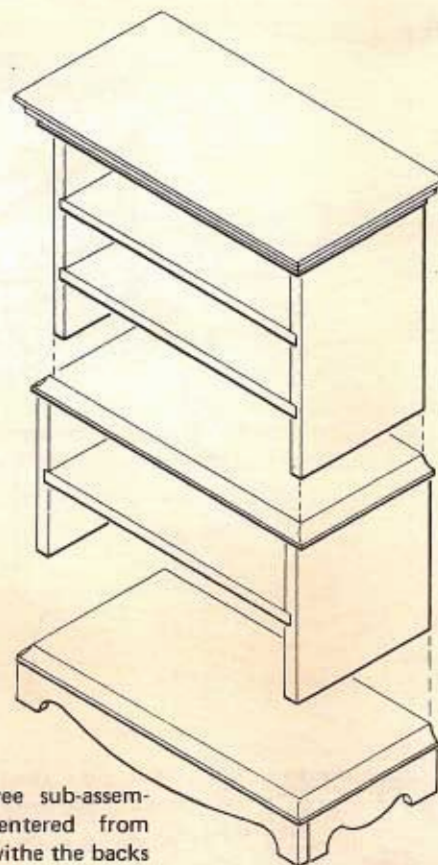
Step 3



- A. Glue front skirt (77) flush with front of base (75).
 B. Glue side skirts (76) flush with sides of base and ends of front skirt.

* The portions of the side skirt which form the bracket feet are of different widths to compensate for the thickness of the front. The narrower of the two goes towards the front.

Step 4

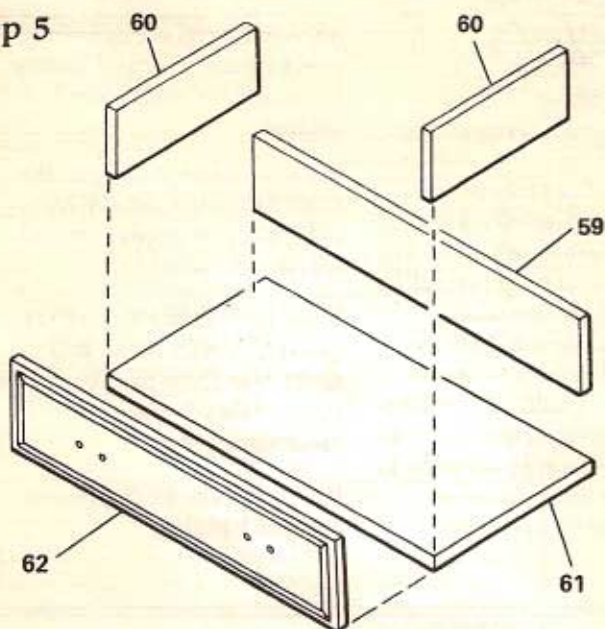


- A. Glue the three sub-assemblies together centered from left to right and with the backs flush.

Detail Views

Kit 40009

Step 5



NOTE: If interior of drawers are not to be stained assemble with white glue and leave fronts off until after Final Finishing. Drill all hardware holes as indicated by + marks on Layout Sheet.

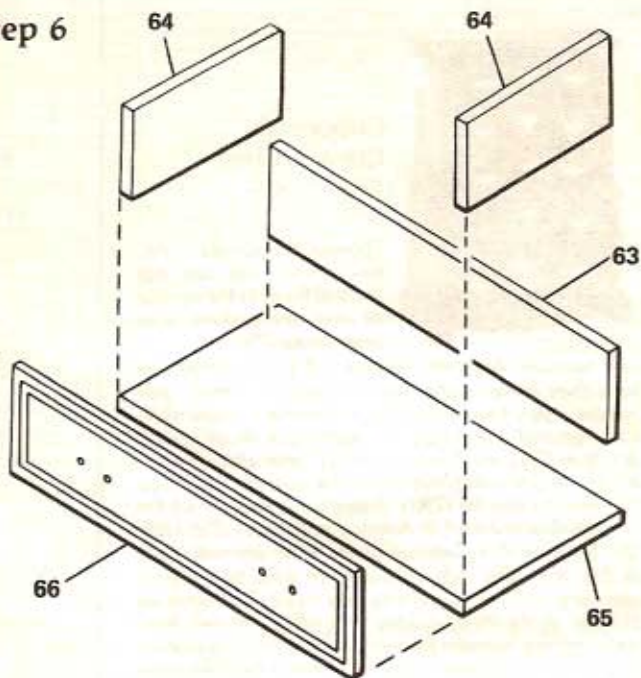
A. Glue sides (60) onto bottom (61) flush with front and ends.

B. Glue back (59) onto bottom (61) and to sides (60).

C. If entire drawer is to be stained, glue front (62) in place, if not, finish first then glue in place.

D. Repeat for remaining two drawers.

Step 6



A. Glue sides (64) onto bottom (65) flush with front and ends.

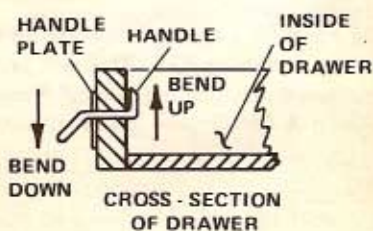
B. Glue back (63) onto bottom (65) and to sides (64).

C. If entire drawer is to be

stained, glue front (66) in place, if not, finish first then glue in place.

D. Repeat for the remaining drawer.

Step 7



NOTE: The four large handles and handle plates are to be installed on the two bottom drawers.

A. Apply Final Finish.

B. Install hardware as illustrated. A small amount of white glue on the back of the plates will keep them aligned.

