

## COLLECTORS NO. 40034



Dower Chest  
Circa 1790

Dower chests and other type of chests were usually made by a local cabinet maker or craftsman to the specification of the buyer, or made in the home shop. Some were finished as fine furniture but most were painted and decorated to reflect the tastes of the owner and to brighten up a corner of a room. Seldom were they painted by the builder, but rather the services of an itinerate painter were employed as he made his rounds of the countryside. He would exchange his labors for bed and board and perhaps a few coins if his work was exceptional.

The Dower Chest was, as the name implies, a chest where the young maiden stored the fancy needlework, quilts, etc. which she crafted as her dower to her future bridegroom.

Designs and decorations were as varied as the imagination of the builders and ranged from the very plain to the highly ornate.

From simple chests as these eventually evolved what is called the chest of drawers and what is quite literally just that.

Drawers were added for their convenience and, as the height of the chests increased, the lidded compartment at the top was eventually eliminated.

These chests were passed down from generation to generation and many remarkably preserved examples have survived.

## ASSEMBLY AND FINISHING INSTRUCTIONS



AUTHENTIC REPRODUCTIONS IN MINIATURE

The X-ACTO® House of Miniatures Collectors Series® of furniture and accessories have all been carefully researched by specialists through major museum and library collections to assure the highest quality of authenticity in reproduction. Details are extraordinarily accurate to satisfy the most discriminating miniaturist.

All wood parts are machined to assure accurate and precise acceptance of each piece by another.

For a complete catalog of the X-ACTO® HOUSE OF MINIATURES furniture line and accessories, write to:

THE HOUSE OF MINIATURES  
Customer Service - Catalog Dept.  
80 Newbridge Road,  
Bergenfield, NJ 07621

410P34

### TOOLS AND MATERIALS

A. The following tools will be helpful in constructing this kit:

1. Pin Vise X-ACTO No. 7144
2. Two-inch Sander, X-ACTO No. 7042
3. Large Clamp, X-ACTO No. 4004
4. Small Clamp, X-ACTO No. 4003
5. X-ACTO Professional Finishing Kit (or equivalent, see note)

B. The following materials will be needed to construct this kit:

1. X-ACTO Tinted Glue (see note)
2. Sandpaper - 220 and 280 grit
3. White glue (or equivalent)
4. Small Artist's Brush

**NOTE:** The X-ACTO tinted glue is matched to the finish used in the Professional Finishing Kit. This will produce the authentic finish of the period in which the original Furniture was produced. When not using X-ACTO glue follow manufacturer's directions.

### GLUING

- A. Glue should be applied in small amounts to surface being joined. When gluing dado joints apply glue to dado only.
- B. To ensure a tight fit, squeeze excess glue out of the joints. Hold glued parts together with clamps, rubber bands or weights on the parts.
- C. Wipe off excess glue promptly.
- D. Be sure a glued assembly has dried thoroughly before adding parts.

### FINISHING

The X-ACTO Professional Finishing Kit enables you to finish your furniture by the same process used by the professional furniture maker. The end result is what is important — there are easier methods, but none that will give the quality results that this process will. If you use a finish other than X-ACTO's, refer to the manufacturer's directions.

## INTRODUCTION

### BEFORE STARTING

Identify and account for each part by placing it on the Layout Sheet (make sure the correct layout sheet is used when working on multi-kit Instruction Sheets). Should any parts be missing, send a post card to:

**THE HOUSE OF MINIATURES**  
Customer Service - Parts Dept.  
2000 Craftmark Center  
Statesville, NC 28677-2000

Please print Name, Address, Part Number (Number from Layout Sheet) and Kit Name and Number on card when ordering.

### SANDING

Before assembly, sand all the outer surfaces of individual parts with 220 grit sandpaper, or finer, sanded in the same direction as the wood grain until the surface is smooth. Take care not to round any edges or corners of the pieces. Finish sanding with 280 grit sandpaper.

### PRE-ASSEMBLY

- A. After sanding, check the proper location and fit of each part by assembling parts loosely, without gluing. Use the **DETAIL VIEWS** as a guide.
- B. All parts for X-ACTO kits are made on precision milling machines. When adjustments are required, sand to fit.

© X-ACTO, a subsidiary of Hunt Mfg. Co., Philadelphia, Pa. - 1978

# Detail Views

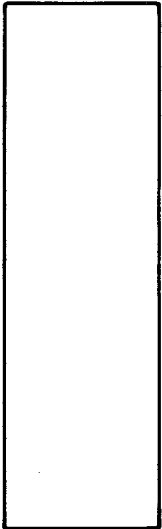
KIT 40034

## Layout Sheet

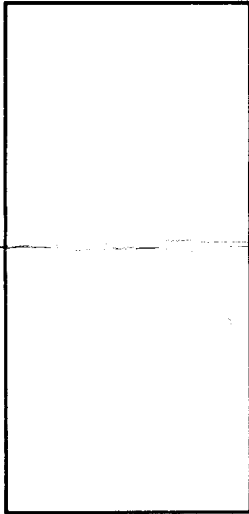
Parts for Steps 1 & 2



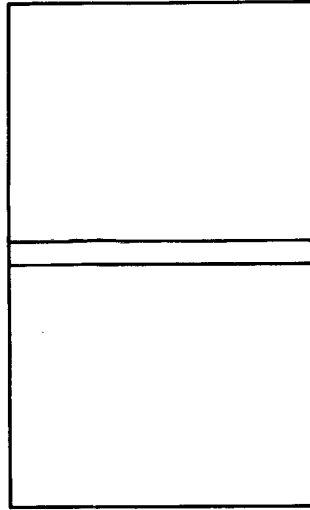
88



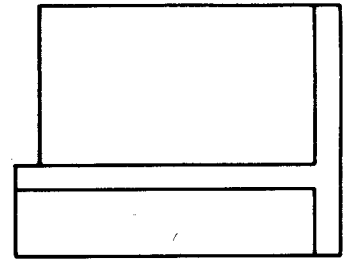
59



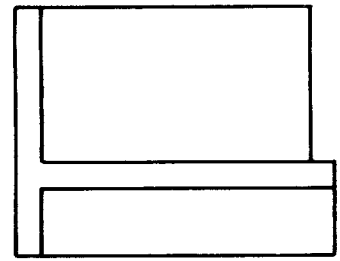
60



95

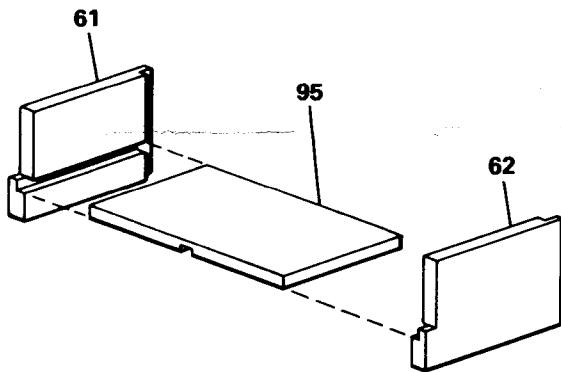


61



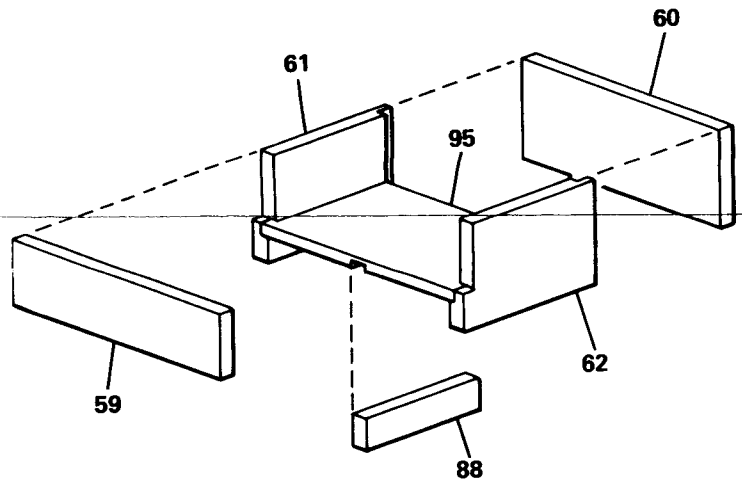
62

### Step 1



A. Glue Chest divider (95) into dadoes of sides (61) and (62). Ensure front edges are flush.

### Step 2



A. Glue Chest back (60) into rabbets of sides (61) and (62).

B. Glue Chest front (59) in notches of (61) and (62) and to divider (95).

C. Glue divider (88) into dado in divider (95).

# Detail Views

KIT 40034

## Layout Sheet

Parts for Steps 3 thru 8

58 (2 REQ'D)

(2 REQ'D)

(2 REQ'D)

(4 REQ'D)

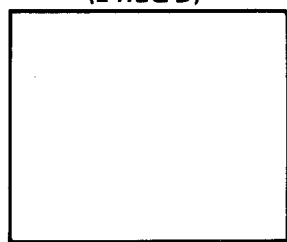
(2 REQ'D)

+

65

(2 REQ'D)

64



85



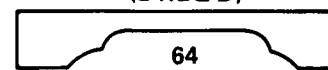
84



83

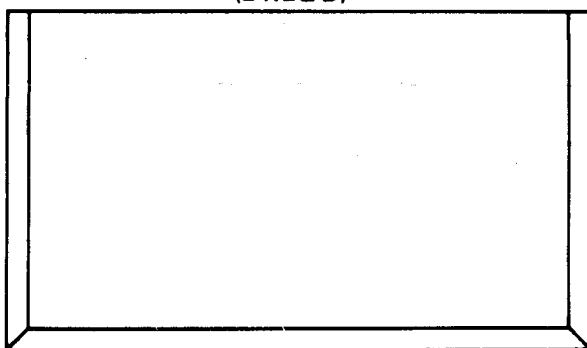


63




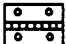


92

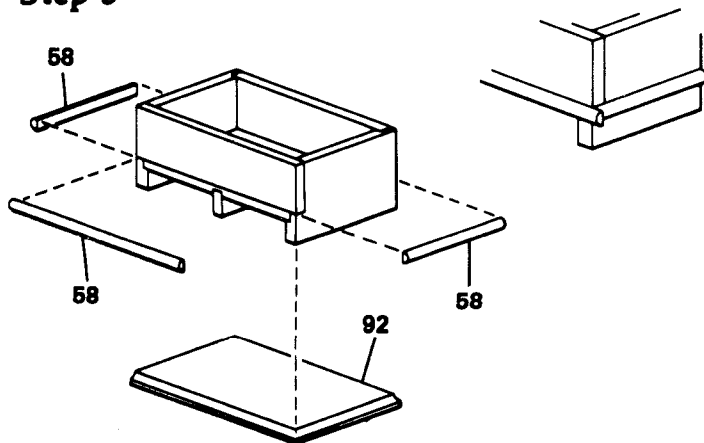
(2 REQ'D)



### HARDWARE CHECK LIST

DESCRIPTION	VISUAL DESCRIPTION	QTY
KNOB		2
ESCUTCHEON		2
FLATHEAD SCREW		8
HINGE		2

### Step 3



A. Glue Chest assembly to base (92). Ensure back edges are flush.

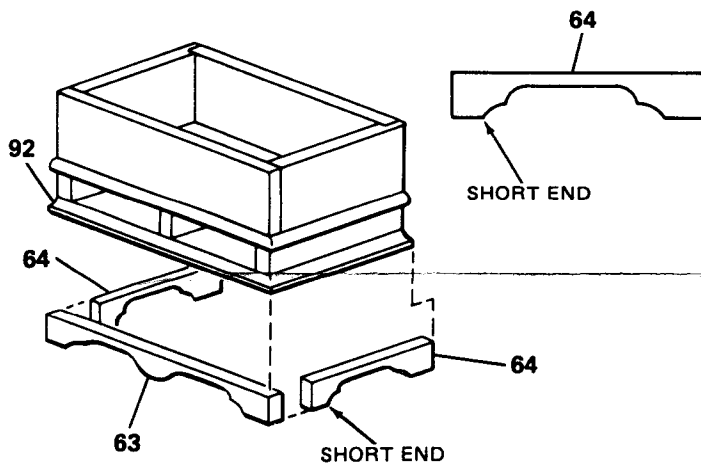
NOTE: Molding should cover the joint between front (59) and divider (95).

B. Glue molding (58) to front of Chest. Allow molding to overhang each end, (this will be trimmed after step C).

C. Glue molding (58) to each side of Chest against front molding. Trim flush with rear edge.

D. Trim each end of front molding (58) flush with side moldings. Sand to match contour of front molding.

### Step 4



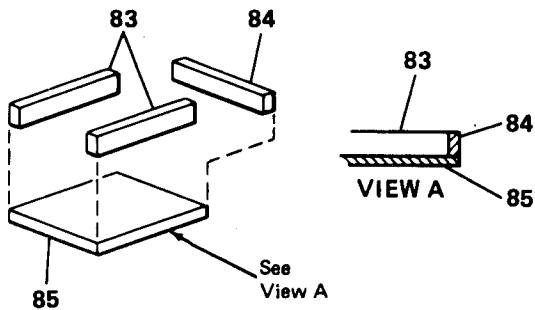
A. Glue front base (63) to base (92). Ensure front edge is flush.

B. Glue side base (64) to base (92). Ensure short end of side base (64) is at front of Chest and edge is flush with base (92).

# Detail Views

## KIT 40034

### Step 5



A. Use layout sheet for location of hardware on drawer front (65) and mark position of holes with pin.

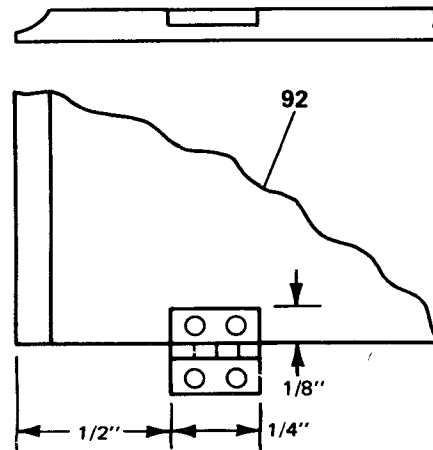
B. Make through holes as marked with No. 65 drill.

C. Glue drawer sides (83) to bottom (85). Ensure sides are flush with front and sides of bottom (85).

D. Glue back (84) to bottom (85) and against rear edges of sides.

**NOTE:** Refer to Final Finishing of drawer fronts prior to assembly.

### Step 6



A. Position hinges on lid (92) 1/2-inch from beveled edge. Keep hinge pin flush with edge.

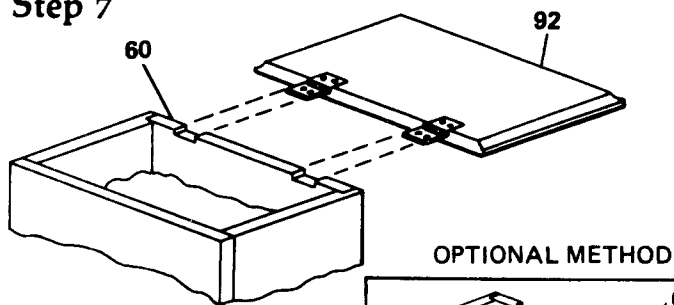
B. Using a sharp knife (X-ACTO No. 1, using a No. 11 blade) trace hinge position on lid (92).

C. Mortice approximately 1/32-inch of lid for each hinge.

D. Using a pin make pilot holes for screws.

E. Attach hinges to lid with screws.

### Step 7



OPTIONAL METHOD

A. Center lid (92) over back (60) and mark position of hinges.

B. Mortise back (60) to accept 1/2 of closed hinge.

C. Attach hinges to back and check fit. If lid sets too high increase depth of mortice at rear of Chest. If lid binds place paper shim under hinge.

D. Remove hinges.

**NOTE:** Refer to Final Finishing.

A. Center lid (92) over back (60) and mark position of hinges.

B. Mortise back to accept hinge.

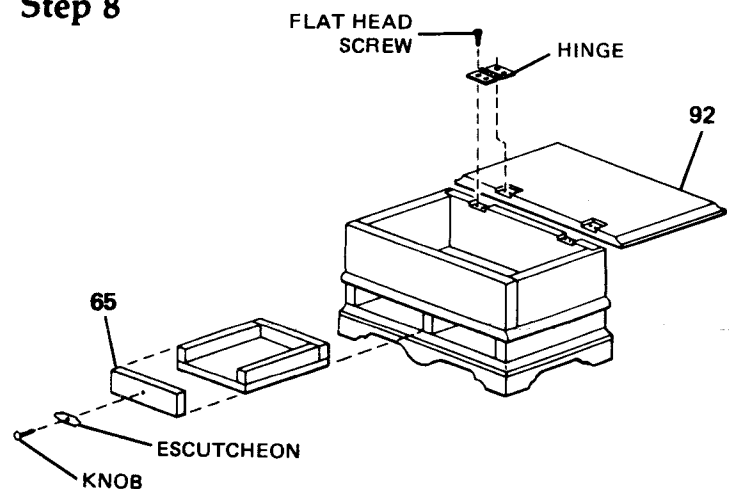
C. Attach hinges to back and check fit.

**NOTE:** Screws may penetrate inside surface of No. 60 using this method.

D. Remove hinges.

**NOTE:** Refer to Final Finishing.

### Step 8



**NOTE:** Drawer fronts and hardware are installed after all Final Finishing steps are complete.

A. Glue front of each drawer to front edges of sides and bottom.

B. Apply a small amount of white glue to escutcheon and glue to front of drawers. Insert knob (brad).

C. Attach hinges to lid (92) and Chest back.

D. Position drawers in Chest.