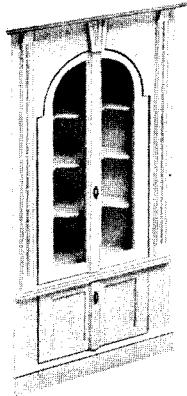


COLLECTORS NO. 40041

Corner Cupboard

Circa 1730-1750



Corner cupboards were designed to either be free-standing or were built in. The majority of those that have survived are of the built-in type and the majority of these are still in the same room corner where they were built. The design of the corner cupboard was dictated either by the over-all decor of the room, or the corner cupboard was designed and the room decor was planned around it. The use of ornate columns, decorative carvings and elaborate pediments and finials was common. It presented the joiner a chance to demonstrate his skills. The built-in cabinets were finished to match the finish of the woodwork in the room while the free-standing versions were often finished like a piece of fine furniture. The type of finish usually dictated the type of wood used in constructing the cabinet.

ASSEMBLY AND FINISHING INSTRUCTIONS



AUTHENTIC REPRODUCTIONS IN MINIATURE

The CRAFTMARK House of Miniature Collectors Series of furniture and accessories have all been carefully researched by specialists through major museum and library collections to assure the highest quality of authenticity in reproduction. Details are extraordinarily accurate to satisfy the most discriminating miniaturist.

Every item in the line is an authentic reproduction in miniature of regular-size furniture created by master craftsmen during the Colonial period, precision scaled, one inch to one foot.

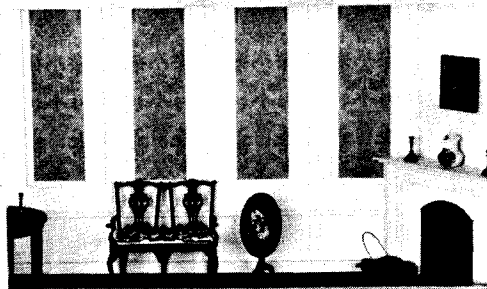
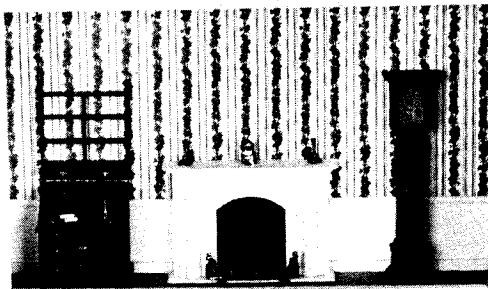
All wood parts are machined to assure accurate and precise acceptance of each piece by another.

The rooms illustrated have been completed using standard CRAFTMARK HOUSE OF MINIATURES products. All individual components are available.

For a complete catalog of the CRAFTMARK HOUSE OF MINIATURES furniture line and accessories, write to:

THE HOUSE OF MINIATURES
Customer Service-Catalog Dept.
147 Lake Street
Delaware, OH 43015

Please include \$2.00 for Postage & Handling.



40041C

INTRODUCTION

BEFORE STARTING

Identify and account for each part by placing it on the Layout Sheet (make sure the correct layout sheet is used when working on multi-kit Instruction Sheets). Should any parts be missing, send a post card to:

THE HOUSE OF MINIATURES

Customer Service - Parts Dept.

147 Lake Street

Delaware, OH 43015

Please print Name, Address, Part Number (Number from Layout Sheet) and Kit Name and Number on card when ordering.

SANDING

NOTE: When using sandpaper, remember that the higher the grit number, the finer the finish.

A. One sanding method that has proved successful is the use of a sanding platform. Tape a sheet of sandpaper of the proper grit size to a hard flat surface such as a table top or wood block. Press down lightly and move the piece to be sanded in the same direction as the wood grain until the surface is smooth. Take care not to round any edges or corners of the pieces.

B. Before assembly, sand all the outer surfaces of individual parts with 220 grit sandpaper, or finer. Finish sanding with 280 grit sandpaper or finer.

PRE-ASSEMBLY

A. After sanding, check the proper location and fit of each part by assembling parts loosely, without gluing. Use the **DETAIL VIEWS** as a guide.

B. All parts for CRAFTMARK kits are made on precision milling machines. When adjustments are required, sand to fit.

TOOLS AND MATERIALS

A. The following tools will be helpful in constructing this kit:

1. Knife
2. Tweezer
3. Two-inch Sander
4. Large Clamp
5. Small Clamp
6. CRAFTMARK Professional Finishing Kit (or equivalent, see note)

B. The following materials will be needed to construct this kit:

1. CRAFTMARK Tinted Glue (see note)
2. Waxed paper
3. Sandpaper-220 and 400 grit
4. Steel Wool-Grade 0000
5. White glue (or equivalent)
6. Small Artist's Brush

NOTE: The CRAFTMARK tinted glue is matched to the finish used in the Professional Finishing kit. This will produce the authentic finish of the period in which the original Furniture was produced. When not using our finishing kit follow Mfg. Specs.

GLUING

A. Glue should be applied in small amounts to surface being joined. When gluing dado joints apply glue to dado only. On end cuts, it may be necessary to apply a second coat of glue before joining the parts.

B. To ensure a tight fit, squeeze excess glue out of the joints. Hold glued parts together with clamps, rubber bands or weights on the parts.

C. Wipe off excess glue promptly.

D. Be sure a glued assembly has dried throughly before adding parts.

Final Finishing for CRAFTMARK Professional Finishing Kit

The following process is the same method professional furniture makers use. The end result is what is important—there are easier

methods, but none that will give quality results that this process will.

NOTE: READ EACH STEP THOROUGHLY BEFORE PROCEEDING

A. Final Sanding. Lightly dry sand with (280) grit, garnet paper or finer, sanding with the grain. Your surface should, when finished, be very smooth.

B. Seal End and Edge Grains. Using the **Clear Finish/Sealer** as a sealer, apply a coat to all end grains with a small brush. Do NOT allow sealer to touch other surfaces.

DO NOT LOAD BRUSH WITH SEALER

Allow Drying Time - 12 Hours or more

C. Base Stain. Using the **BASE STAIN**, which is an oil base stain, apply a coat over the entire wood surface using a brush or cloth. **Immediately Wipe Off** all stain leaving an even color over the entire wood surface. This base color will be seen in the high-lighted area after the glaze stain has been applied.

NOTE: When finishing drawers - stain the face piece of the drawer only. This will add authenticity to your piece as regular-size furniture never has stained drawer interiors.

Allow Drying Time - 12-18 Hours

D. Sealing in Base Stain. In order to seal the base stain from subsequent coats that have the same solvent as the base stain, a sealer coat must be applied. Using the **Clear Finish/Sealer** apply a coat over the entire piece - using a brush or sprayer. Whichever method is used, be sure there are no drop marks. This should merely be a thin coat.

Allow Drying Time - 12 Hours or more

E. Glaze Stain. Apply the **Glaze Stain** with a brush, or rag, to the entire surface of your piece of furniture.

At this point you have a choice of achieving two types of finishes. Wiping the glaze stain off evenly until only a thin layer of color remains will produce an attractive finish with the tone you have selected.

Highlighting is a technique of light and dark areas that is accomplished by **Toning** or **Rubbing off the Glaze Stain** in areas exposing the base stain. With a soft cloth start blending tones of base stain and glaze stain by rubbing off the glaze stain starting from the middle of the piece and working outwards. The middle should be light with darker tones toward the outside edge.

THERE SHOULD NEVER BE A SHARP LINE OF DARK TO LIGHT COLOR - BUT RATHER A SMOOTH BLENDING EFFECT.

NOTE: If you are not satisfied with your first attempt in Highlighting...merely wipe off the Glaze Stain from entire piece.

Allow Drying Time - 24 Hours

F. Final Finish or Top Coat. After the Glaze Stain has dried 24 hours, thoroughly wipe, **BRISKLY, BUT LIGHTLY**, the entire piece with a clean cloth.

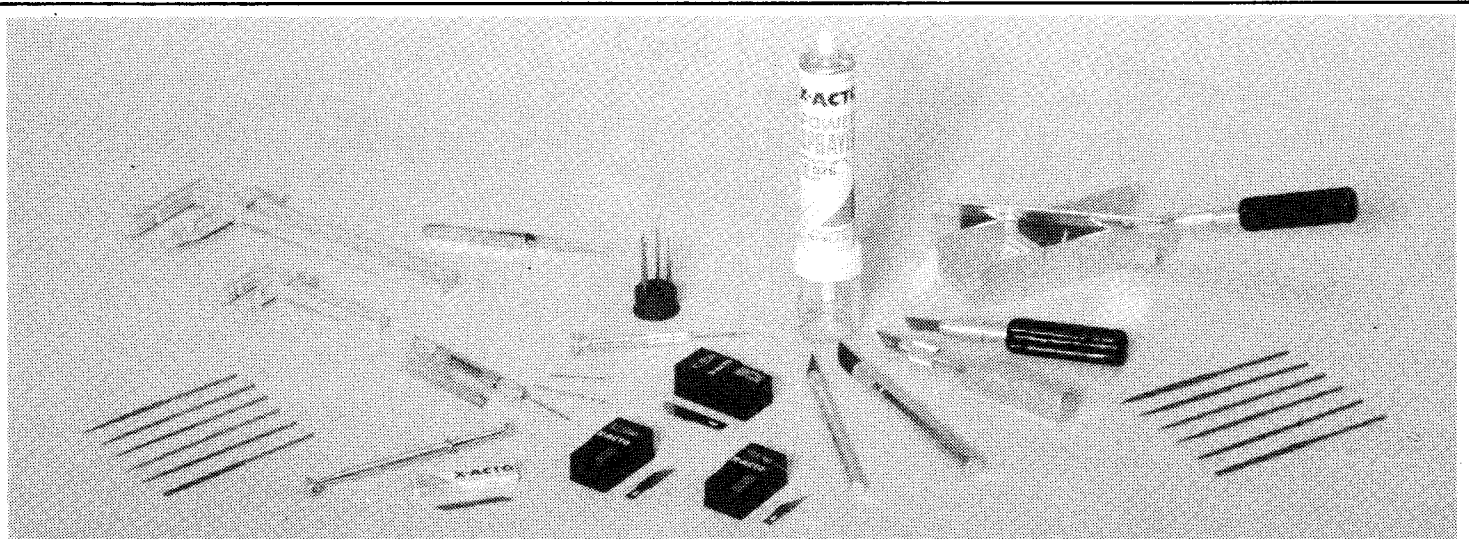
Using the **Clear Finish/Sealer** apply an even coat over the entire surface of your piece of furniture with a soft brush, or sprayer.

Allow Drying Time - 12 Hours or more between each coat

Two or more coats of **Clear Finish** should be applied with 12 hours drying time between coats. . .after at least two coats have been applied a smoother finish may be attained by lightly buffing with No. 0000 steel wool. If additional coats of finish are applied, lightly buff between coats with No. 0000 steel wool.

NOTE: After each steel wool rubbing, make sure all steel wool "dust" is thoroughly removed.

(These instructions are for the Mahogany (P/N 43804), Walnut (P/N 43802), and Colonial (P/N 43803) Finishing Kits).



A. MINIATURE FILE SET

6 miniature needle files. 3/8" long. For intricate filing. Vinyl storage pouch.

B. PLASTIC CLAMPS

Light duty plastic clamps for delicate work. Notched jaw allows grip of round parts. Smooth face prevents damage to workpiece.

Small plastic clamp. 3/4" opening with 1" throat depth.

Large plastic clamp. 7/4" opening with 2 5/16" throat depth.

C. SELF-CLOSING POINTED TWEEZER

Self-closing serrated points. Nickel-plated steel. 6 1/2."

D. SCREWDRIVER WITH INTERCHANGEABLE BLADES

Aluminum handle and chuck and 5 steel screwdriver blades sizes .040" through .100." Notched shank for greater torque. Storage base.

E. PIN VISE SET

Includes double-ended pin vise, vise bit guard and 3 assorted drill bits.

F. PARTPICKER

For small hard-to-handle pieces. Smooth one-handed action.

G. No. 13 BLADE

Precision saw cutting. 5 blades.

H. No. 10 BLADE

For fine general cutting, carving, correcting stencils. Safety dispenser of 10 blades.

I. No. 22 BLADE

General shaping, whittling, trimming, removing excess flashing. Safety dispenser of 10 blade.

J. No. 11 BLADE

Extremely sharp point for fine angle cutting and stripping. Safety dispenser of 10 blades.

K. No. 1 KNIFE

Aluminum handle 4 7/8" long with No. 11 blade.

L. No. 2 KNIFE

Aluminum handle 5" long with No. 22 blade.

M. No. 6 KNIFE

Aluminum handle 4 3/4" long with No. 24 blade.

N. No. 5 KNIFE

Plastic handle with metal blade lock, 4 1/4" long with No. 19 blade.

O. MINIATURE NEEDLE RASPS

6 assorted rasps. For rough shaping of wood or plastic. 4 3/4" long. Vinyl storage pouch.

P. MITRE BOX

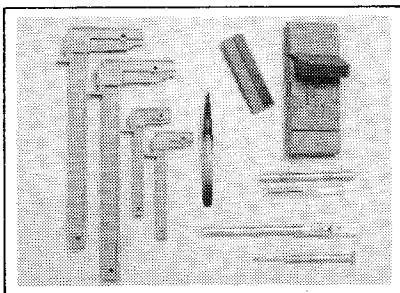
Aluminum 3/4" x 1 3/4" capacity. 6" long. With two 45° and one 90° cutting slots.

Q. EXTRA-FINE RAZOR SAW

1/4" deep with cutting edge 5 1/2" long and 54 teeth per inch for extra fine precision. For use with mitre box. Carded:

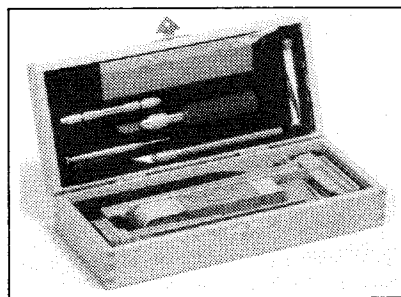
R. POWER SPRAYER

Push-button action sprays evenly. Includes a one ounce jar and propellant to spray on intricate or flat surfaces up to 16 ounces of liquid materials.



MINIATURIST'S TOOL SET

Basic tools for assembling miniatures, models and working with small parts. 4 clamps, tweezer, pin vise with 3 bits, 2 sanders, screwdriver and No. 1 Knife in fitted tray. No. 43910



DELUXE MINIATURIST'S TOOL CHEST

Fitted wooden chest contains precision tools for assembling miniatures, models and working with small parts: razor saw blade, mitre box, 4 clamps, pin vise and 3 bits, Nos. 1 and 5 Knives, sanders and screwdriver. Boxed: No. 43911

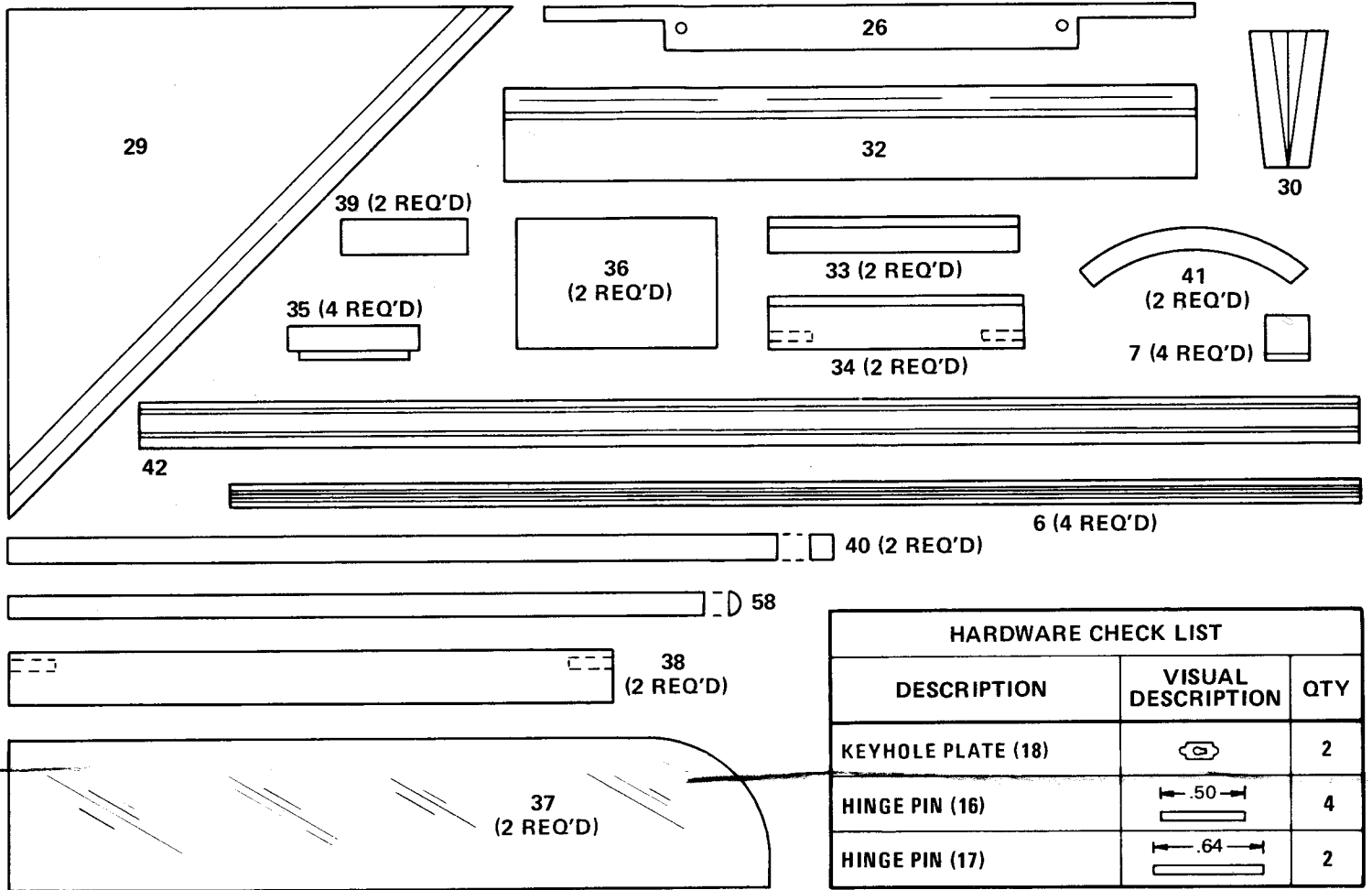
Layout Sheet


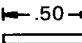
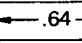
KIT 40041

(Sheet 2 of 2)

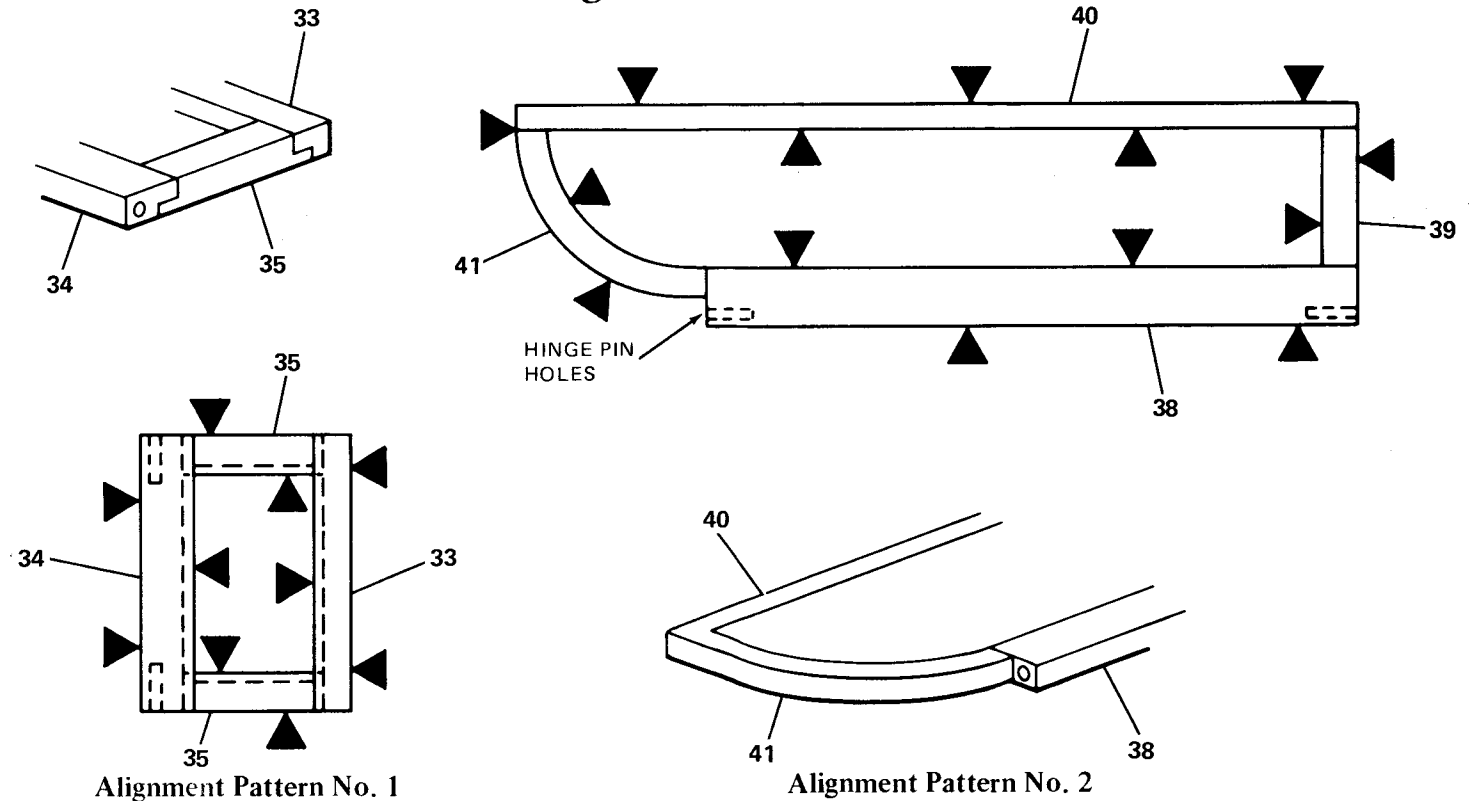
These Parts To Be Used For Steps 5 Thru 10

Fold Over For Steps 1 Thru 4



HARDWARE CHECK LIST		
DESCRIPTION	VISUAL DESCRIPTION	QTY
KEYHOLE PLATE (18)		2
HINGE PIN (16)		4
HINGE PIN (17)		2

Alignment Patterns



Alignment Pattern No. 1

Alignment Pattern No. 2

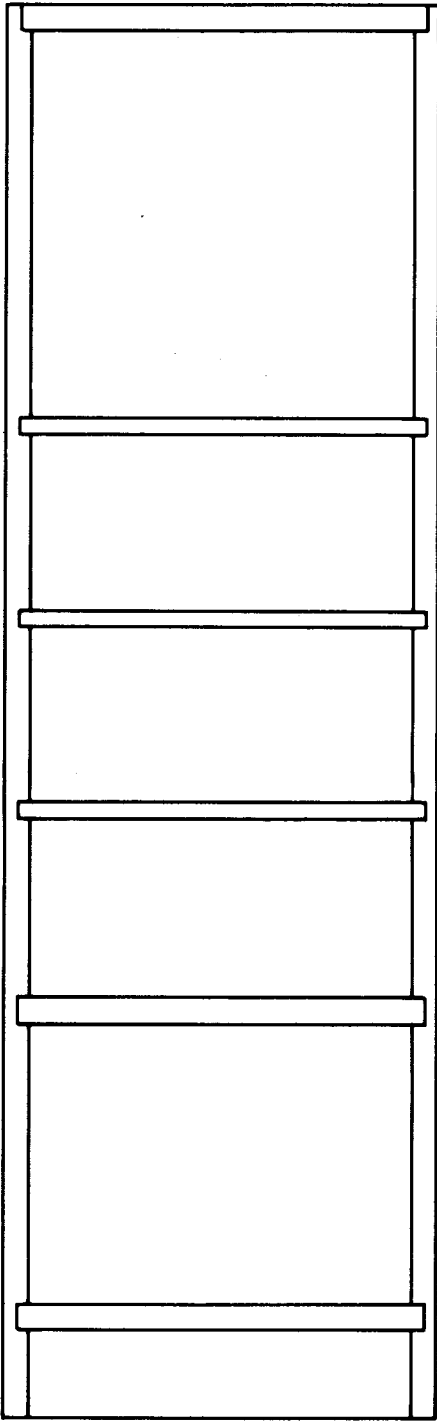
Layout Sheet

KIT 40041

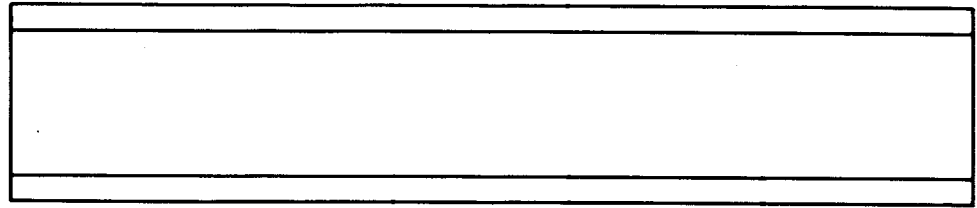
(Sheet 1 of 2)

These Parts To Be Used For Steps 1 Thru 4

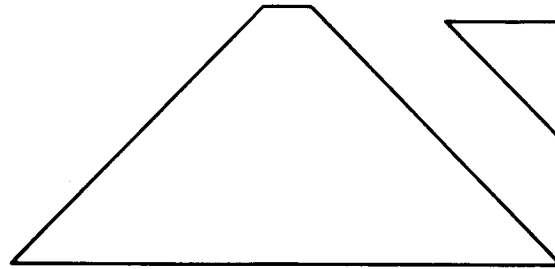
Fold Over For Steps 5 Thru 10



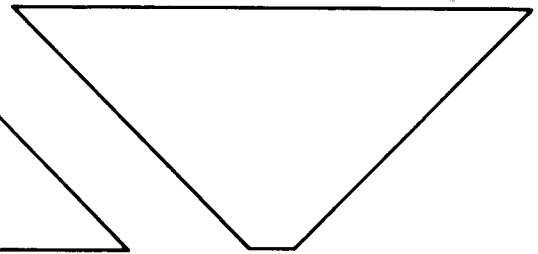
20 (2 REQ'D)



21



22 (2 REQ'D)



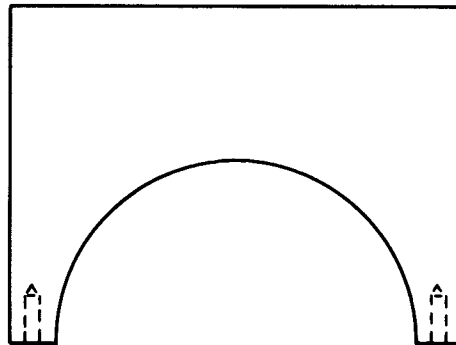
23



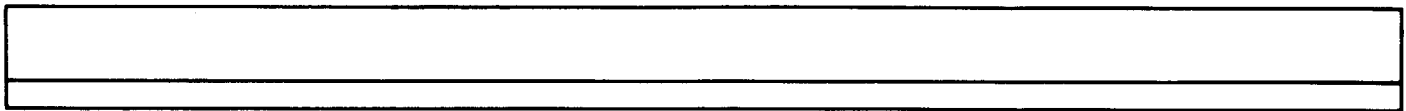
24 (3 REQ'D)



25



28



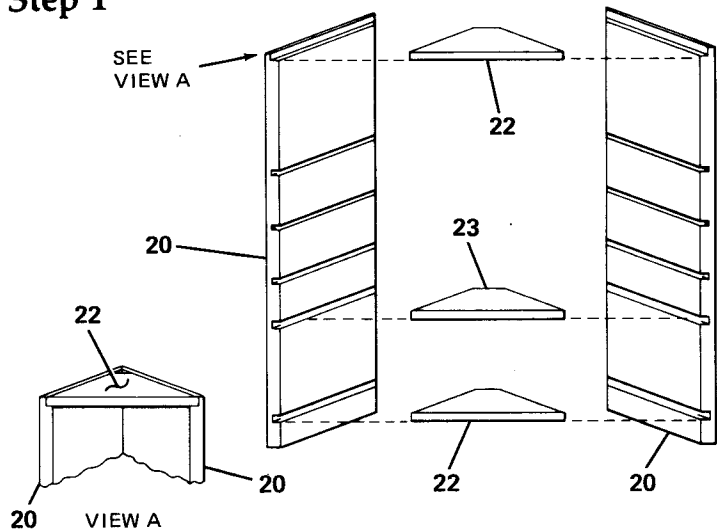
27 (2 REQ'D)

Detail Views

KIT 40041

(Use Layout Sheet 1 of 2)

Step 1



NOTE: Ensure front edge of shelves (22) are properly aligned with leading edge of sides (20). Ensure center support (23) is accounted for, to ensure proper placement.

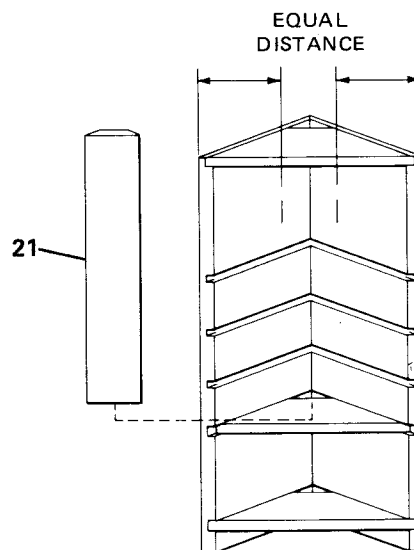
A. Glue top support (22) to left side (20). Align front edge of top support (22) with edge of side.

B. Glue bottom support (22) and center support (23) to left side (20).

C. Glue right side (20) to shelves (22), (23) and left side (20).

NOTE: Ensure all edges are properly aligned before glue sets.

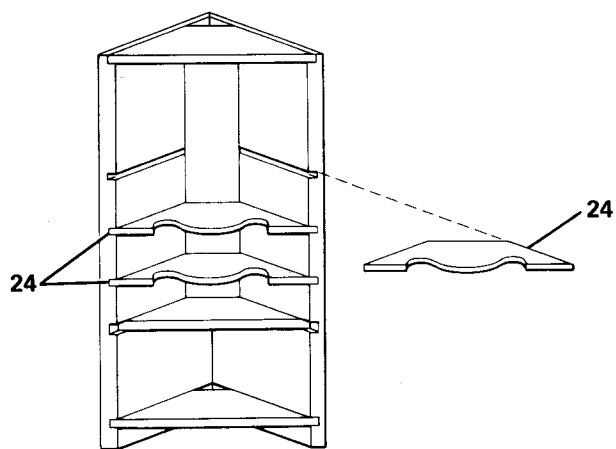
Step 2



NOTE: Before gluing back (21) to assembly place in position and ensure equal distance to edges of assembly. Mark position with a small pencil mark on either side.

A. Glue back (21) to sides (20) aligning with pre-measured pencil marks.

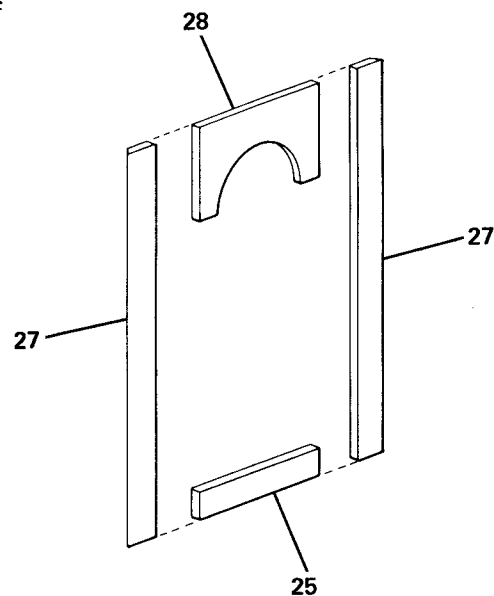
Step 3



NOTE: Ensure front edge of shelves (24) are properly aligned with leading edge of sides (20).

A. Glue three shelves (24) to back (21) and sides (20).

Step 4



NOTE: Place parts for front frame assembly on a clean flat surface. Ensure all edges are properly butted together to ensure proper squareness. Ensure chamfered edge of sides (27)

face back of assembly and all parts are properly aligned before glue sets.

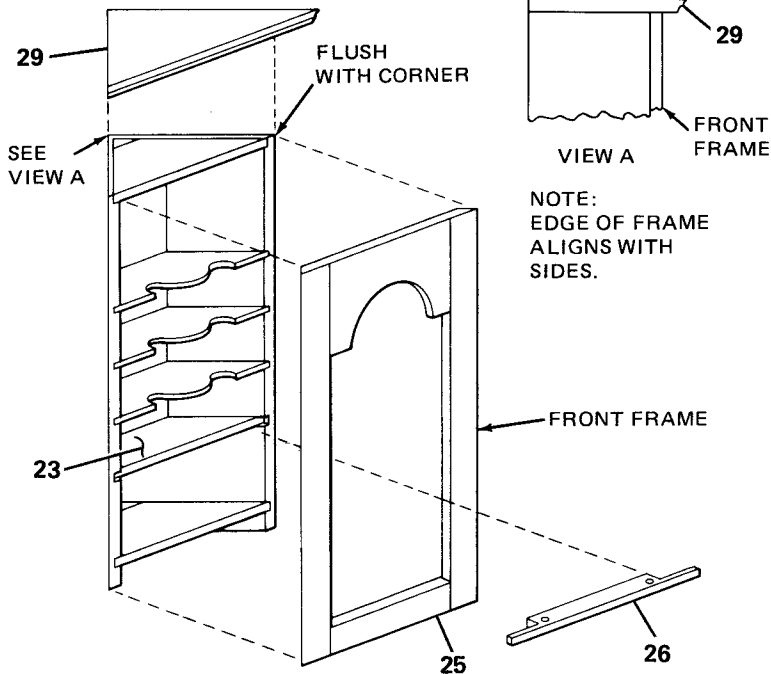
A. Glue two sides (27) to top front (28) and base front (25).

Detail Views

KIT 40041

(Use Layout

Step 5

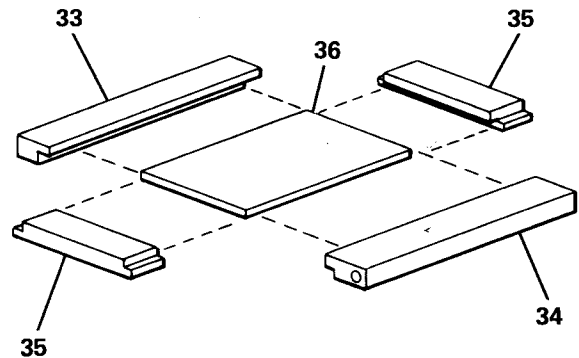


A. Glue front frame assembly to main assembly. Align front frame flush with top and bottom of main assembly.

B. Glue top (29) to top of assembly, keeping sides flush.

C. Glue front divider (26) to edge of center support (23). To ensure proper fit use door side (34) as spacer between (25) and (26).

Step 6

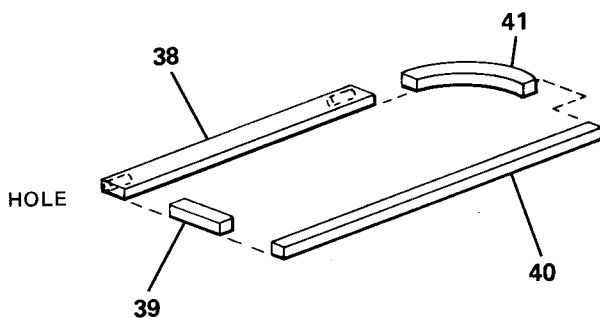


A. Utilizing Alignment Pattern No. 1, glue top and bottom (35) to sides (33) and (34).

B. Glue center (36) to door assembly.

C. Repeat steps A and B for the opposite door assembly.

Step 7



NOTE: Before gluing insure hinge pin holes are located towards outside of large door side (38).

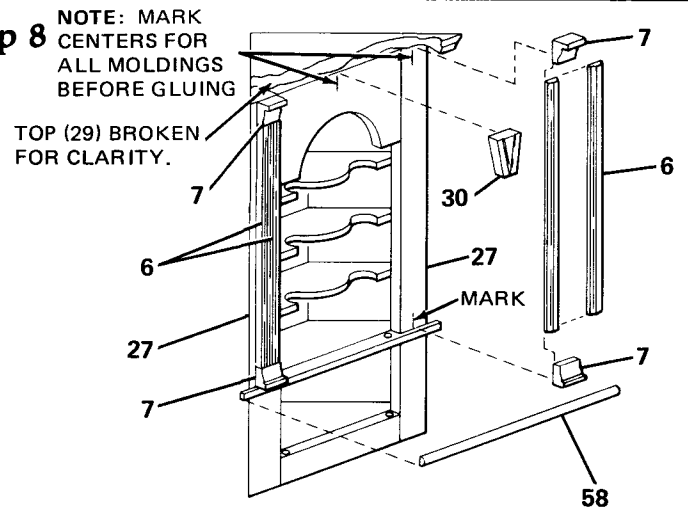
A. Utilizing Alignment Pattern No. 2, glue large door bottom (39) to door side (36).

B. Glue side (40) to bottom (39).

C. Glue top large door (41) to sides (38) and (40).

D. Repeat steps A, B and C for the opposite door assembly.

Step 8



A. Glue molding (58) to base front divider (26). Trim each end of parts (26) and (58) following angles of sides.

B. Center and glue four molding bases (7) to front (27), two at top and two at bottom.

C. Cut four lengths of molding (6) to fit. Center and glue two at top and two at bottom.

D. Glue center molding (30) to main assembly (28) centered, flush with top edge.

E. Cut two lengths of door molding (42) one 4 7/16 in. and one 1 7/16 in. long to be installed in Step 10.

F. Cut a 3 3/8 in. length of base molding (32).

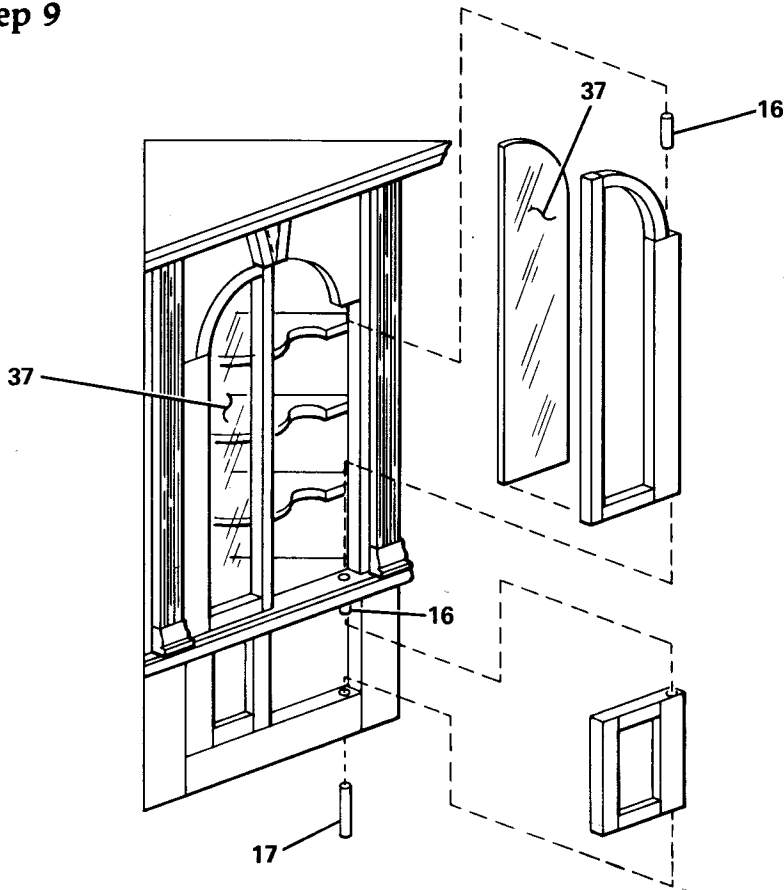
NOTE: If unit is to be finished as furniture refer to Final Finishing for the main assy, door assys, door and base moldings. If unit is to be painted, complete assy.

Detail Views

KIT 40041

Sheet 2 of 2)

Step 9



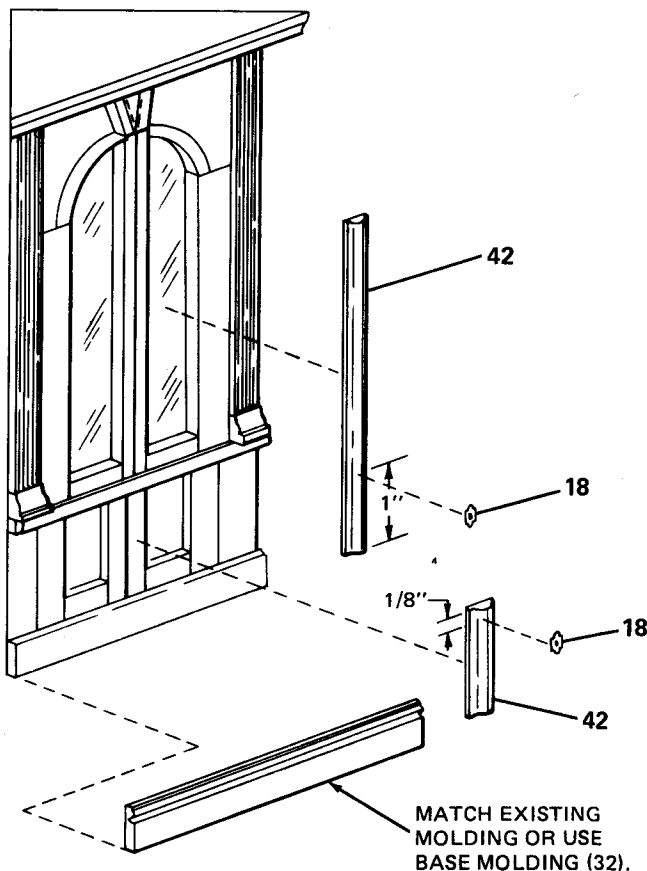
NOTE: If assembly is to be painted install windows after painting.

A. Glue large door windows (37) to both upper door assemblies.

B. Install one 1/2 inch brass hinge pin (16) into top of each upper door assembly. Place the upper door assemblies in position. Install one 1/2 inch hinge pin (16) through each side of front divider (26) and up into bottom of upper door assembly. This pin will also serve as upper hinge of lower doors.

C. Place each lower door assembly into position and insert long brass hinge pins (17) up through base front (25) and into lower portion of door assemblies.

Step 10



NOTE: Door molding is installed to left doors and hangs over edge half way.

A. Glue door moldings (42) to edge of both the upper and lower door assemblies.

B. Glue base molding (32) to lower portion of assembly.

NOTE: If unit is to be painted, paint to match walls of room. After paint has dried install glass in upper doors.

NOTE: The keyhole plate for the upper door assembly shall be positioned 1 inch up from the bottom edge. The keyhole plate for the lower door assembly shall be 1/8 inch from the top edge. Mark locations.

C. Glue keyhole plates to the upper and lower door moldings (42).

MATCH EXISTING MOLDING OR USE BASE MOLDING (32).