

COLLECTORS NO. 40061



**Hepplewhite
Corner Table**
Circa 1780-1800

The table that our miniature was adapted from was built by one of the many craftsmen that flourished in the Baltimore-Annapolis, Maryland area in the late 1700's. The cabinet maker that built this particular piece was an excellent student of the Hepplewhite style as evidenced by the slender tapering legs and the slightly inset apron.

The original had birdseye maple panels at the top of the legs and a narrow, light banding around these panels as well as around the two sections of the front apron. The marble top was a rarity on this type of table so perhaps the person that commissioned it to be built had a special purpose in mind for it.

One can speculate on all types of uses for it. It's height is slightly more than normal, about the height of a serving table so perhaps it was used as that in a smaller dining room, or perhaps it was used as a washstand in a small bedroom. One of the nice things about antiques and miniatures is that you can let your mind wander about matters such as this.



AUTHENTIC REPRODUCTIONS IN MINIATURE

The X-ACTO® House of Miniatures Collectors Series® of furniture and accessories have all been carefully researched by specialists through major museum and library collections to assure the highest quality of authenticity in reproduction. Details are extraordinarily accurate to satisfy the most discriminating miniaturist.

All wood parts are machined to assure accurate and precise acceptance of each piece by another.

For a complete catalog of the X-ACTO® HOUSE OF MINIATURES furniture line and accessories, write to:

THE HOUSE OF MINIATURES
Customer Service - Catalog Dept.
80 Newbridge Road
Bergenfield, NJ 07621

INTRODUCTION

BEFORE STARTING

Identify and account for each part by placing it on the Layout Sheet (make sure the correct layout sheet is used when working on multi-kit Instruction Sheets). Should any parts be missing, send a post card to:

THE HOUSE OF MINIATURES
Customer Service - Parts Dept.
2000 Craftmark Center
Statesville, NC 28677-2000

Please print Name, Address, Part Number (Number from Layout Sheet) and Kit Name and Number on card when ordering.

SANDING

Before assembly, sand all the outer surfaces of individual parts with 220 grit sandpaper, or finer, sanded in the same direction as the wood grain until the surface is smooth. Take care not to round any edges or corners of the pieces. Finish sanding with 280 grit sandpaper.

PRE-ASSEMBLY

A. After sanding, check the proper location and fit of each part by assembling parts loosely, without gluing. Use the **DETAIL VIEWS** as a guide.

B. All parts for X-ACTO kits are made on precision milling machines. When adjustments are required, sand to fit.

TOOLS AND MATERIALS

A. The following tools will be helpful in constructing this kit:

1. One-inch Sander, X-ACTO NO. 7041
2. Small Clamp, X-ACTO No. 7003
3. X-ACTO Professional Finishing Kit (or equivalent, see note)

B. The following materials will be needed to construct this kit:

1. X-ACTO Tinted Glue (see note)
2. Sandpaper - 220 and 280 grit
3. White glue (or equivalent)
4. Small Artist's Brush

NOTE: The X-ACTO tinted glue is matched to the finish used in the Professional Finishing Kit. This will produce the authentic finish of the period in which the original Furniture was produced. When not using X-ACTO glue follow manufacturer's directions.

GLUING

A. Glue should be applied in small amounts to surface being joined. When gluing dado joints apply glue to dado only.

B. To ensure a tight fit, squeeze excess glue out of the joints. Hold glued parts together with clamps, rubber bands or weights on the parts.

C. Wipe off excess glue promptly.

D. Be sure a glued assembly has dried thoroughly before adding parts.

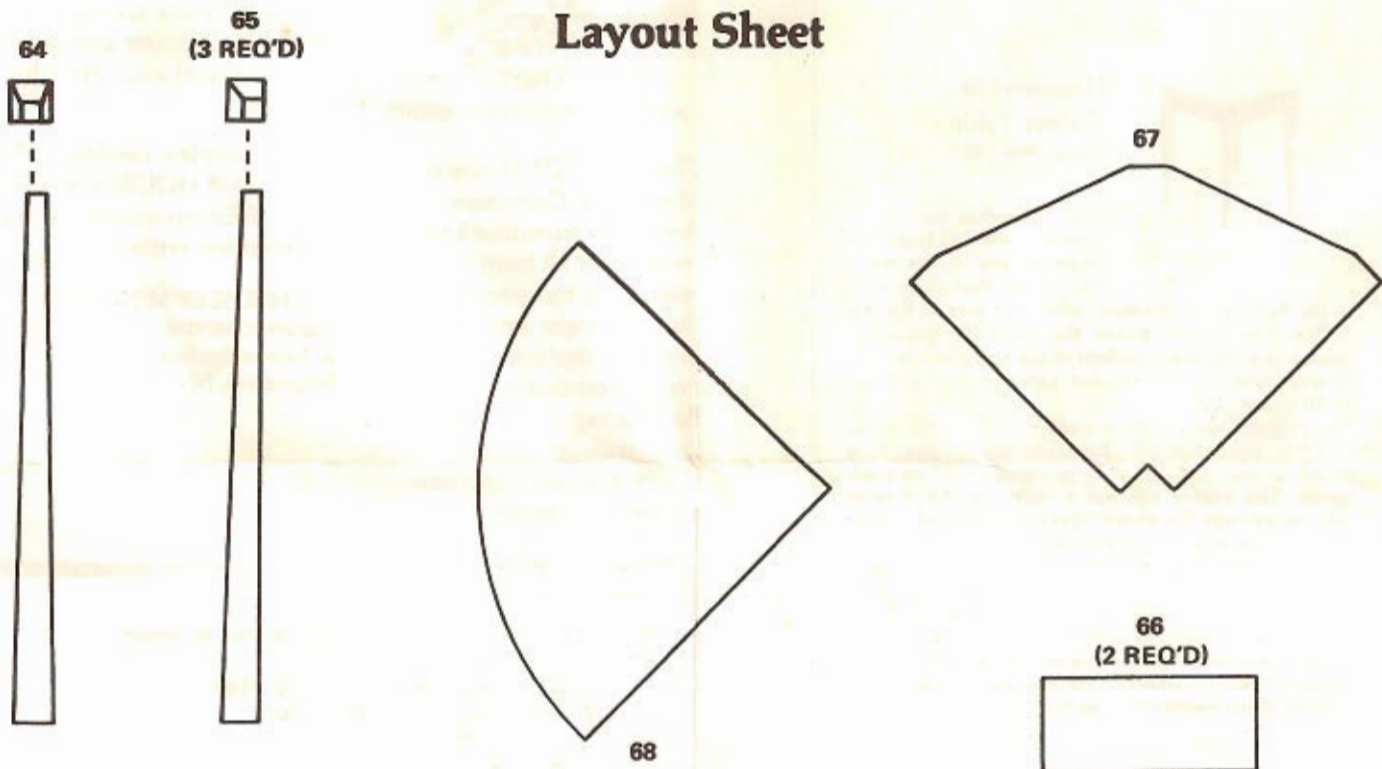
FINISHING

The X-ACTO Professional Finishing Kit enables you to finish your furniture by the same process used by the professional furniture maker. The end result is what is important - there are easier methods, but none that will give the quality results that this process will. If you use a finish other than X-ACTO's, refer to the manufacturer's directions.

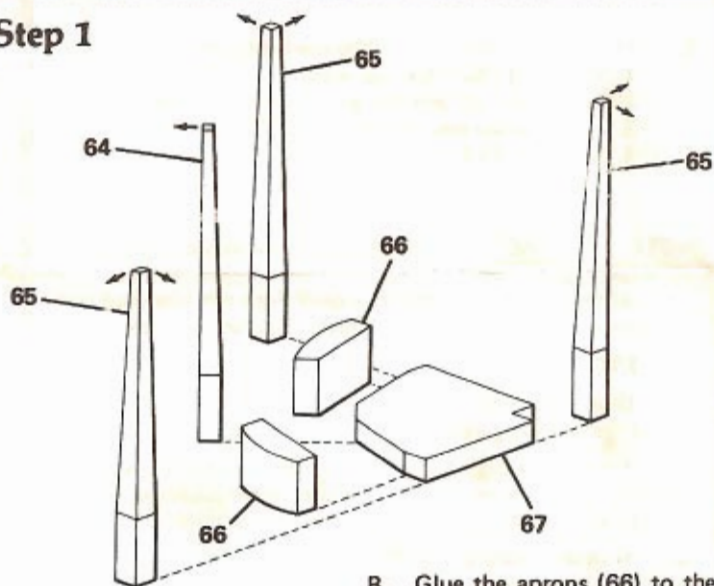
Detail Views

KIT 40061

Layout Sheet



Step 1



NOTE: Arrows at the tips of the illustration indicate the directions that the flat surfaces of the leg should face.

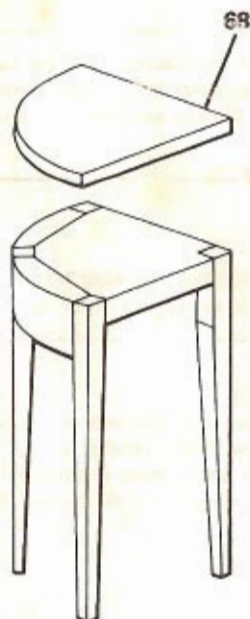
A. Glue center leg (64) to center of flat surface on the top frame (67).

B. Glue the aprons (66) to the top frame (67) on each side of the center leg (64).

C. Glue front legs (65) and rear leg (65) in place.

D. After glue has set, sand top of assembly flush and apply Final Finish. Do not finish top surface.

Step 2



A. After Final Finishing, glue marble top (68) to base assembly. Straight side should be flush with outside edges of legs. Use either a tacky white glue or one of the "super" glues.

NOTE: Sand any finish off top surface before applying top.