

COLLECTORS NO. 40068



Bagnall Tall Case Clock

Circa 1730

The original of this unusual clock was constructed by one of our earliest clockmakers, Benjamin Bagnall of Charlestown, Massachusetts.

One detail that has been omitted from our miniature reproduction is the windows in each side of the bonnet which allowed the proud

owner to view the workings of the clock movement.

The construction of this clock is rather unusual in that it is of a rather shallow depth compared to its width. One explanation for this is that it was designed for a large, but narrow hallway, or entry way.

It was common practice for the clock case to be built by a local cabinetmaker, rather than the clockmaker credited with the construction of the clock. Often the design was by the clockmaker.

This particular case was made primarily of pine and was covered with a rich, beautifully grained burl veneer.

Loving care by its many owners have kept the original of this clock in almost "mint" condition. It has been displayed in choice locations in many homes since it was built during the early days of our Nation.

Your miniature reproduction of this clock will serve as well in your miniature house and become one of your favorite "antiques".

ASSEMBLY AND FINISHING INSTRUCTIONS



AUTHENTIC REPRODUCTIONS IN MINIATURE

The X-ACTO® House of Miniatures Collectors Series™ of furniture and accessories have all been carefully researched by specialists through major museum and library collections to assure the highest quality of authenticity in reproduction. Details are extraordinarily accurate to satisfy the most discriminating miniaturist.

All wood parts are machined to assure accurate and precise acceptance of each piece by another.

For a complete catalog of the X-ACTO® HOUSE OF MINIATURES furniture line and accessories, write to:

X-ACTO® THE HOUSE OF MINIATURES Dept. KIT
45-35 Van Dam Street
Long Island City,
New York 11101

Please include \$2.00 for postage and handling.

INTRODUCTION

BEFORE STARTING

Identify and account for each part by placing it on the Layout Sheet (make sure the correct layout sheet is used when working on multi-kit Instruction Sheets). Should any parts be missing, send a post card to:

X-ACTO/The House of Miniatures
45-35 Van Dam Street
Long Island City, N.Y. 11101

Please print Name, Address, Part Number (Number from Layout Sheet) and Kit Name and Number on card when ordering.

SANDING

Before assembly, sand all the outer surfaces of individual parts with 220 grit sandpaper, or finer, sanded in the same direction as the wood grain until the surface is smooth. Take care not to round any edges or corners of the pieces. Finish sanding with 280 grit sandpaper.

PRE-ASSEMBLY

A. After sanding, check the proper location and fit of each part by assembling parts loosely, without gluing. Use the **DETAIL VIEWS** as a guide.

B. All parts for X-ACTO kits are made on precision milling machines. When adjustments are required, sand to fit.

TOOLS AND MATERIALS

A. The following tools will be helpful in constructing this kit:

1. X-ACTO Two-inch Sander No. 7042
2. X-ACTO Large Clamp No. 7004
3. X-ACTO Professional Finishing Kit (or equivalent, see note)

B. The following materials will be needed to construct this kit:

1. X-ACTO Tinted Glue (see note)
2. Sandpaper - 220 and 280 grit
3. White glue (or equivalent)
4. Small Artist's Brush

NOTE: The X-ACTO tinted glue is matched to the finish used in the Professional Finishing Kit. This will produce the authentic finish of the period in which the original Furniture was produced. When not using X-ACTO glue follow manufacturer's directions.

GLUING

A. Glue should be applied in small amounts to surface being joined. When gluing dado joints apply glue to dado only.

B. To ensure a tight fit, squeeze excess glue out of the joints. Hold glued parts together with clamps, rubber bands or weights on the parts.

C. Wipe off excess glue promptly.

D. Be sure a glued assembly has dried thoroughly before adding parts.

FINISHING

The X-ACTO Professional Finishing Kit enables you to finish your furniture by the same process used by the professional furniture maker. The end result is what is important — there are easier methods, but none that will give the quality results that this process will. If you use a finish other than X-ACTO's, refer to the manufacturer's directions.

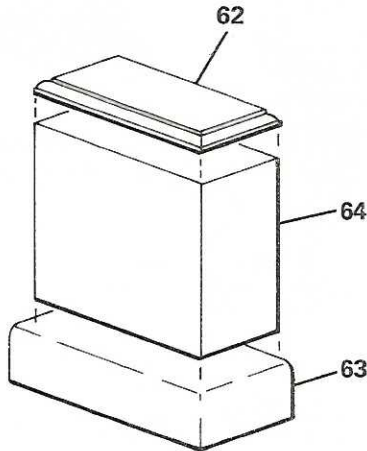
Detail Views

Kit 40068

Step 1

A. Glue the base center (64) to the base (63) so that it is centered and the backs are flush. The holes in the base (63) must be down so the feet may be installed later.

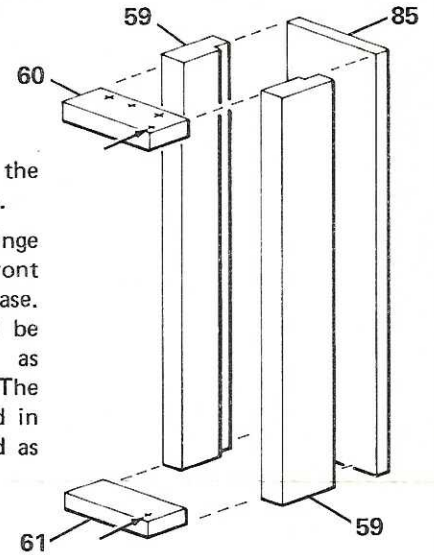
B. Glue the base cap (62) to the base center (64) so that it is centered and the backs are flush.



Step 2

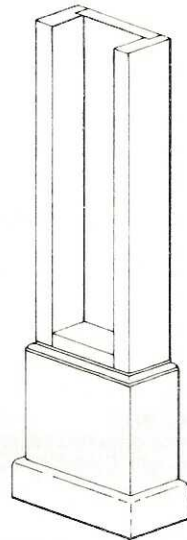
A. Glue the sides (59) to the back (85) with the ends flush.

B. Glue the bottom hinge block (61) flush with the front and the end of the waist case. The hinge pin hole should be towards the front right as indicated by the arrows. The top block (60) is not glued in at this time but is just used as a spacer.



Step 3

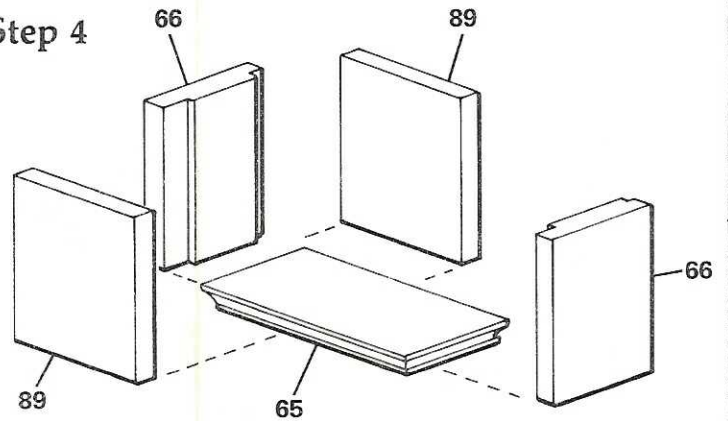
A. Center and glue the waist to the base with their backs flush and the assemblies centered. This assembly, the top hinge block, and the door are now ready for final finishing.



Step 4

A. Glue the sides (66) to the back (89) and face backing (89). Ends should be flush.

B. Glue this assembly to the bonnet base (65). The backs should be flush and the assembly centered.



Step 5

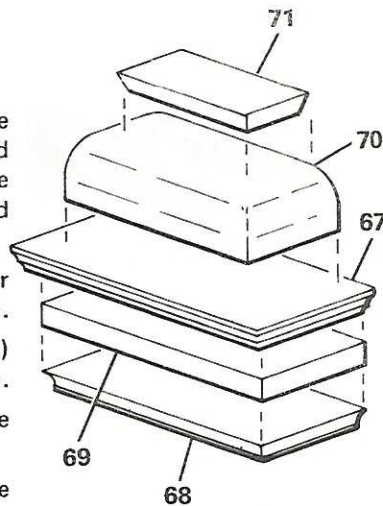
NOTE: Except for the dome (70) all shaped edges should face downward. All parts are glued so they are centered and their backs are flush.

A. Glue the pediment center (69) to the pediment base (68).

B. Glue the pediment top (67) to the pediment center (69).

C. Glue the dome (70) to the pediment top (67).

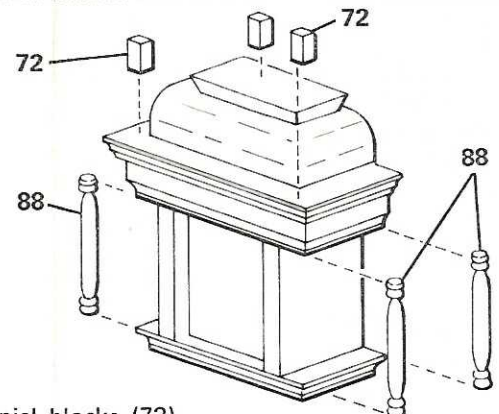
D. Glue the cap (71) to the dome (70).



Step 6

A. Glue the finial blocks (72) in place. Two are glued so their back inside corners touch the front corners of the dome (70). The other is centered on the cap (71).

B. Glue the columns (88) in place so they are at the corners of the opening formed between parts 65 & 68.



Detail Views

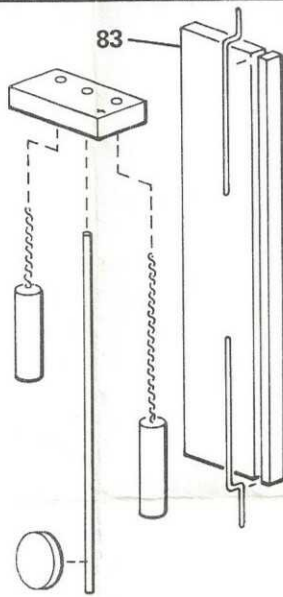
Kit 40068

Step 7

A. After final finishing is complete install all hardware and parts and assemble the clock. Use white glue for all of Steps 7 & 8.

B. Glue the pendulum weight to the pendulum shaft. The position is not critical but it should be near the end of the shaft. Glue the shaft into the center hole of the hinge block. The hinge pin hole should be facing the front right.

C. Cut two lengths of chain. They should be short enough so that the weights will hang above the pendulum. Glue one end of the chain into the hole in the counter-weight and the other end into the hole in the pendulum shaft.



D. Glue the hinge pins into the grooves of the door (83). Press them firmly into the groove on the back and the ends.

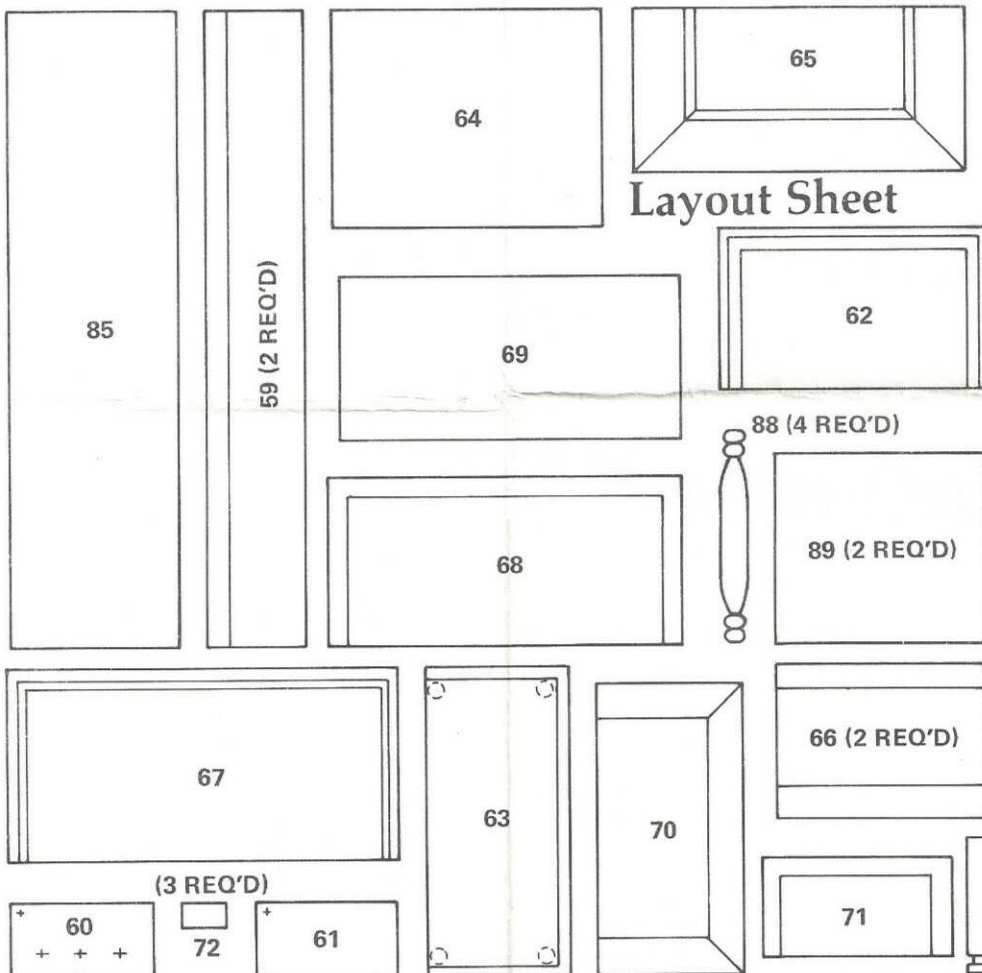
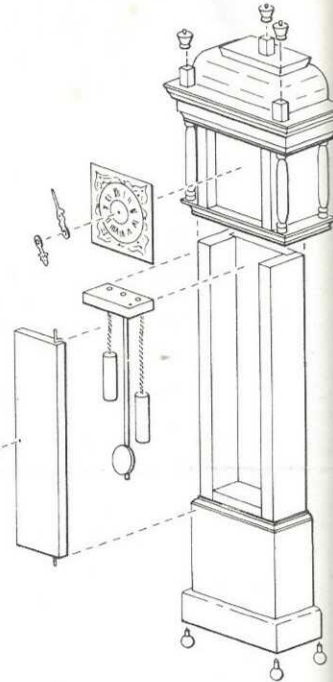
Step 8

A. Drill a starter hole for the knob on the door. Glue the plate over the hole and install the knob.

B. Place bottom hinge pin into the hole in the bottom block. Lower the pendulum and the weights into clock case and place block onto top hinge pin. Glue block into top of case flush with top of case.

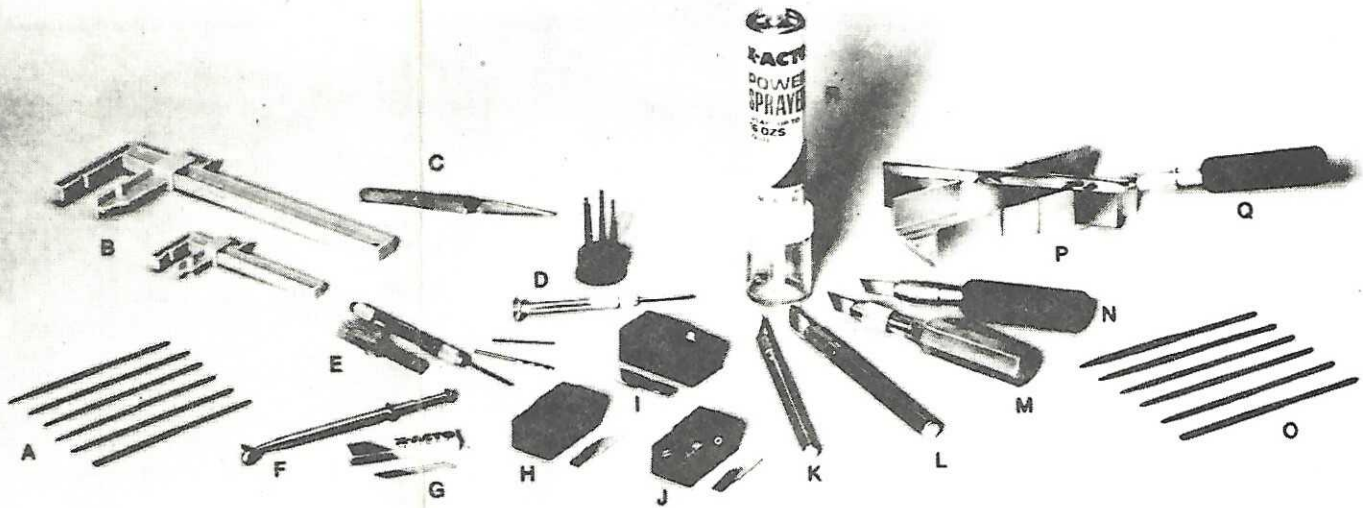
C. Glue bonnet to waist. Back should be flush and assemblies centered. Remove protective plastic from front of face and glue into place. Glue hands into place.

D. Glue the finials on the finial blocks and the feet into the holes in the base.



HARDWARE CHECK LIST

Description	Visual	Qty
Hinge Pin		2
Clockface		1
Knob		1
Escutcheon		1
Weight		2
Pendulum Shaft		1
Pendulum		1
Chain		1
Clock Hands		1pr
Finials		3
Feet		4



X-ACTO® precision tools make fine miniatures.

A. MINIATURE FILE SET

6 miniature needle files. 3 1/8" long. For intricate filing. Vinyl storage pouch. No. 7365

B. PLASTIC CLAMPS

Light duty plastic clamps for delicate work. Notched jaw allows grip of round parts. Smooth face prevents damage to workpiece.

Small plastic clamp. 3 1/4" opening with 1" throat depth.

2 per card: No. 7003

Large plastic clamp. 7 1/4" opening with 2 1/8" throat depth.

2 per card: No. 7004

C. SELF-CLOSING POINTED TWEEZER

Self-closing serrated points. Nickel-plated steel. 6 1/2"

Carded: No. 7337

D. SCREWDRIVER WITH INTERCHANGEABLE BLADES

Aluminum handle and chuck and 5 steel screwdriver blades sizes .040" through .100" Notched shank for greater torque. Storage base.

Carded: No. 7070

E. PIN VISE SET

Includes double-ended pin vise, pin vise bit guard and 3 assorted drill bits. Carded: No. 7144

F. PARTPICKER

For small hard-to-handle pieces. Smooth one-handed action.

Carded: No. 7380

G. No. 13 BLADE

Precision saw cutting. 5 blades. Carded: No. 213

H. No. 10 BLADE

For fine general cutting, carving, correcting stencils. Safety dispenser of 10 blades. Carded: No. 410

I. No. 22 BLADE

General shaping, whittling, trimming, removing excess flashing. Safety dispenser of 10 blades. Carded: No. 422

J. No. 11 BLADE

Extremely sharp point for fine angle cutting and stripping.

Safety dispenser of 10 blades. Carded: No. 411

K. No. 1 KNIFE

Aluminum handle 4 7/8" long with No. 11 blade. Carded: No. 3201

L. No. 2 KNIFE

Aluminum handle 5" long with No. 22 blade. Carded: No. 3202

M. No. 6 KNIFE

Aluminum handle 4 3/4" long with No. 24 blade. Carded: No. 3206

N. No. 5 KNIFE

Plastic handle with metal blade lock, 4 1/4" long with No. 19 blade.

Carded: No. 3205

O. MINIATURE NEEDLE RASPS

6 assorted rasps. For rough shaping of wood or plastic.

4 3/4" long. Vinyl storage pouch. No. 7366

P. MITRE BOX

Aluminum 3/4" x 1 1/4" capacity. 6" long. With two 45° and one 90° cutting slots. Carded: No. 7533

Q. EXTRA-FINE RAZOR SAW

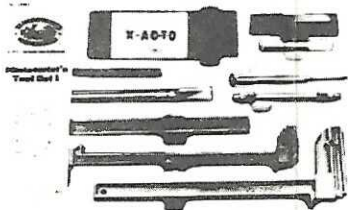
1 1/4" deep with cutting edge 5 1/2" long and 54 teeth per inch for extra fine precision. For use with No. 7533 mitre box. Carded: No. 7535

R. POWER SPRAYER

Push-button action sprays evenly. Includes a one ounce jar and propellant to spray on intricate or flat surfaces up to 16 ounces of liquid materials. Carded: No. 43561

MINIATURIST'S TOOL SET

Basic tools for assembling miniatures, models and working with small parts. 4 clamps, tweezer, pin vise with 3 bits, 2 sanders, screwdriver and No. 1 Knife in fitted tray. No. 43910



DELUXE MINIATURIST'S TOOL CHEST

Fitted wooden chest contains precision tools for assembling miniatures, models and working with small parts: razor saw blade, mitre box, 4 clamps, pin vise and 3 bits, Nos. 1 and 5 Knives, sanders and screwdriver. Boxed: No. 43911