

COLLECTORS NO. 40070



**Connecticut
Tavern Table**

*Connecticut:
Circa 1700-20*

After the Colonists had become settled in the New World, they could turn some of their efforts to pursuits other than clearing land and growing food. Cabinetmakers and artisans developed - or arrived from Europe - and began to ply their trade.

At first, many of their products were copies of designs common in the Old World; but soon they began to develop designs that were distinctly their own.

Timber was abundant and varied. The size of the trees allowed large, wide boards to be cut, and this influenced many of the early designs, e. g., this table we have reproduced in miniature.

Turnings were popular and replaced the straight legs of earlier simpler pieces.

This tavern table had a top of wide pine boards with cleated ends. The legs were turned of hardwood, and their disc and bulbous turned feet were somewhat unusual.

The finish on this particular piece was blue paint; but many similar pieces were just scrubbed and allowed to develop a natural patina. When stains and varnishes became available, this furniture was finished much as it is today.

These tables were commonly used in taverns, but they were equally at home in the Colonial kitchens.

ASSEMBLY AND FINISHING INSTRUCTIONS



AUTHENTIC REPRODUCTIONS IN MINIATURE

The HOUSEWORKS LTD House of Miniatures Collectors Series of furniture and accessories have all been carefully researched by specialists through major museum and library collections to assure the highest quality of authenticity in reproduction. Details are extraordinarily accurate to satisfy the most discriminating miniaturist.

All wood parts are machined to assure accurate and precise acceptance of each piece by another.

For a complete catalog of the HOUSEWORKS LTD - HOUSE OF MINIATURES furniture line and accessories, write to:

THE HOUSE OF MINIATURES
2388 Pleasantdale Road
Atlanta, GA 30340

Please include \$2.00 for
Postage & Handling.

INTRODUCTION

BEFORE STARTING

Identify and account for each part by placing it on the Layout Sheet (make sure the correct layout sheet is used when working on multi-kit Instruction Sheets). Should any parts be missing, send a post card to:

THE HOUSE OF MINIATURES
2388 Pleasantdale Road
Atlanta, GA 30340

Please print Name, Address, Part Number (Number from Layout Sheet) and Kit Name and Number on card when ordering.

SANDING

Before assembly, sand all the outer surfaces of individual parts with 220 grit sandpaper, or finer, sanded in the same direction as the wood grain until the surface is smooth. Take care not to round any edges or corners of the pieces. Finish sanding with 280 grit sandpaper.

PRE-ASSEMBLY

A. After sanding, check the proper location and fit of each part by assembling parts loosely, without gluing. Use the **DETAIL VIEWS** as a guide.

B. All parts for HOUSEWORKS LTD kits are made on precision milling machines. When adjustments are required, sand to fit.

TOOLS AND MATERIALS

- A. The following tools will be helpful in constructing this kit:
1. Large Plastic Clamps
 2. Sander
 3. HOUSEWORKS LTD Professional Finishing Kit (or equivalent, see note)
 4. #1 Knife
- B. The following materials will be needed to construct this kit:
1. HOUSEWORKS LTD Tinted Glue (see note)
 2. Sandpaper-220 and 280 grit
 3. Small Artist's Brush

NOTE: The HOUSEWORKS LTD tinted glue is matched to the finish used in the Professional Finishing Kit. This will produce the authentic finish of the period in which the original Furniture was produced. When not using our glue follow manufacturer's directions.

GLUING

- A. Glue should be applied in small amounts to surface being joined. When gluing dado joints apply glue to dado only.
- B. To ensure a tight fit, squeeze excess glue out of the joints. Hold glued parts together with clamps, rubber bands or weights on the parts.
- C. Wipe off excess glue promptly.
- D. Be sure a glued assembly has dried thoroughly before adding parts.

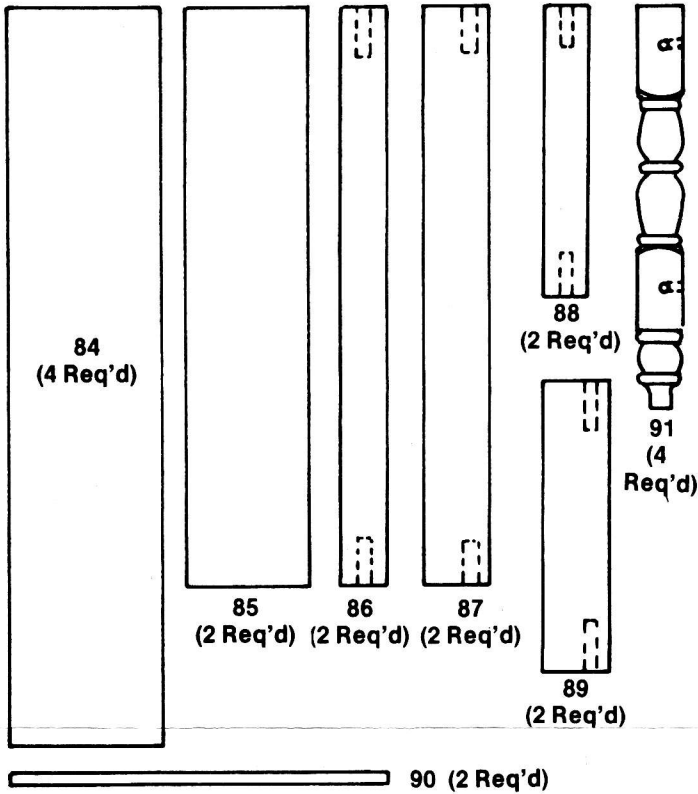
FINISHING

The HOUSEWORKS LTD Professional Finishing Kit enables you to finish your furniture by the same process used by the professional furniture maker. The end result is what is important—there are easier methods, but none that will give the quality results that this process will. If you use a finish other than HOUSEWORKS LTD's refer to the manufacturer's directions.

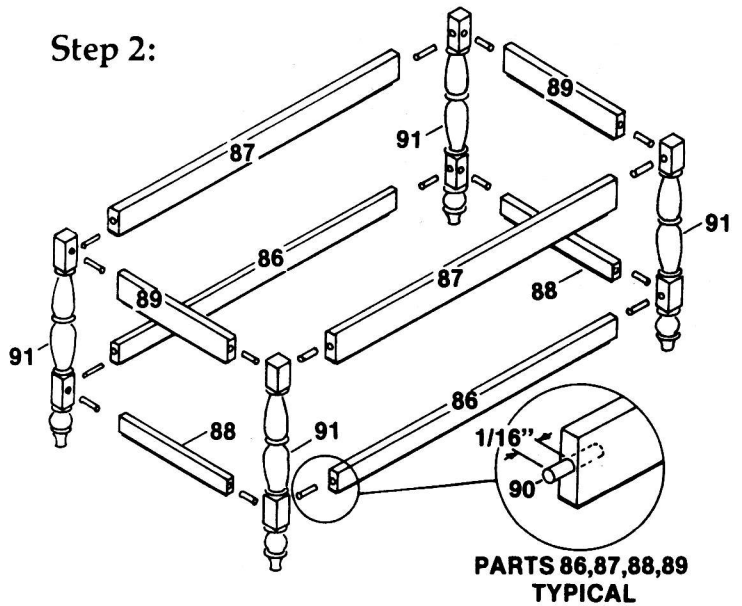
Detail Views

KIT 40070

Layout Sheet



Step 2:



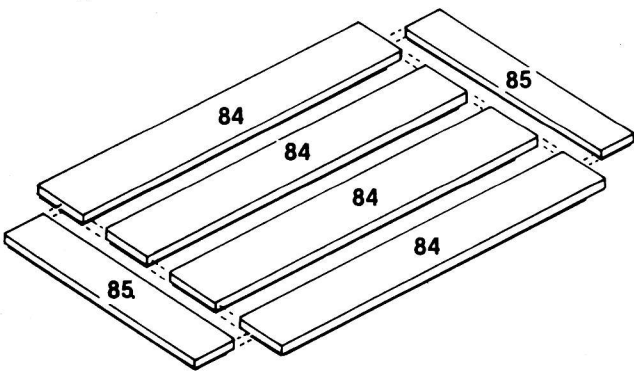
A. Sand all parts. Use the dowel (90) provided and glue pegs into ends of spreaders (88 & 86) and top rails (87 & 89). Dowel should project 1/16" (See inset)

B. Glue top rails (87) and spreaders (86) to legs (91). Be

certain that the holes in the legs that are not used in this step face as shown in the diagram. Square entire assembly.

C. Glue top rails (89) and spreaders (88) to the two assemblies made in B. Square entire base.

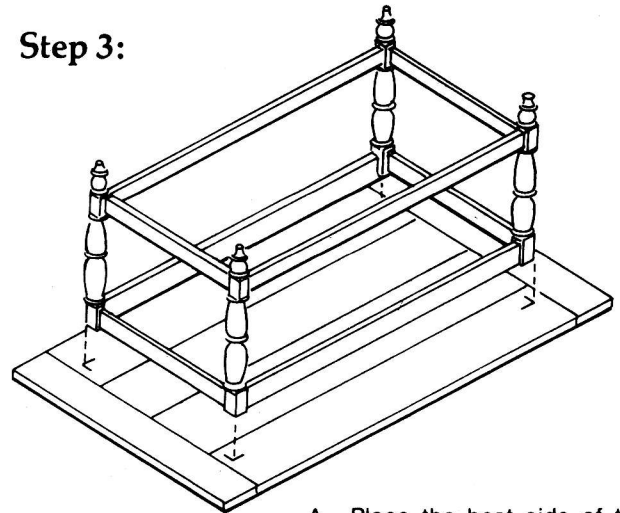
Step 1:



A. Glue the four top pieces (84) together. Care should be taken to align ends and top surfaces. Allow glue to set.

B. Glue end cleats (85) to the assembly completed in A. After glue has set sand entire top smooth.

Step 3:



A. Place the best side of the table top made in Step 1 face-down. Align table base made in Step 2 and mark corners with a light pencil mark as an aid when gluing. Apply glue on top edge of base then glue base to top. Allow to dry and proceed with final finish.